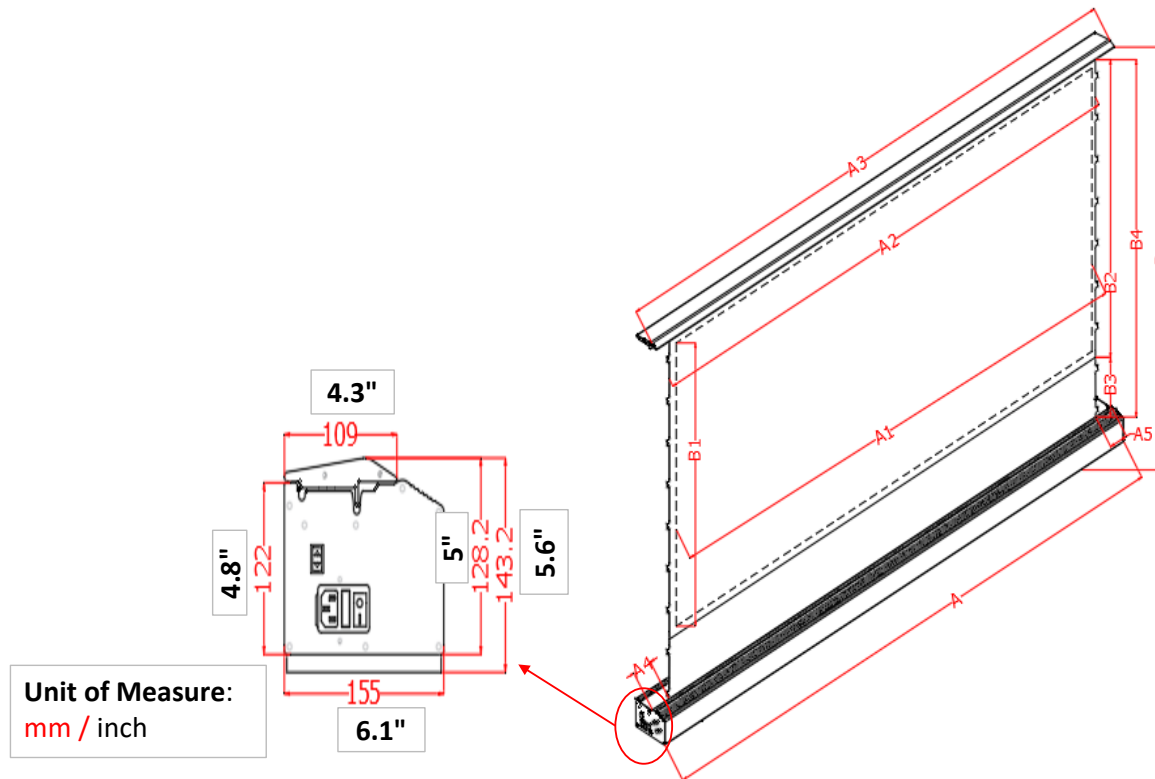


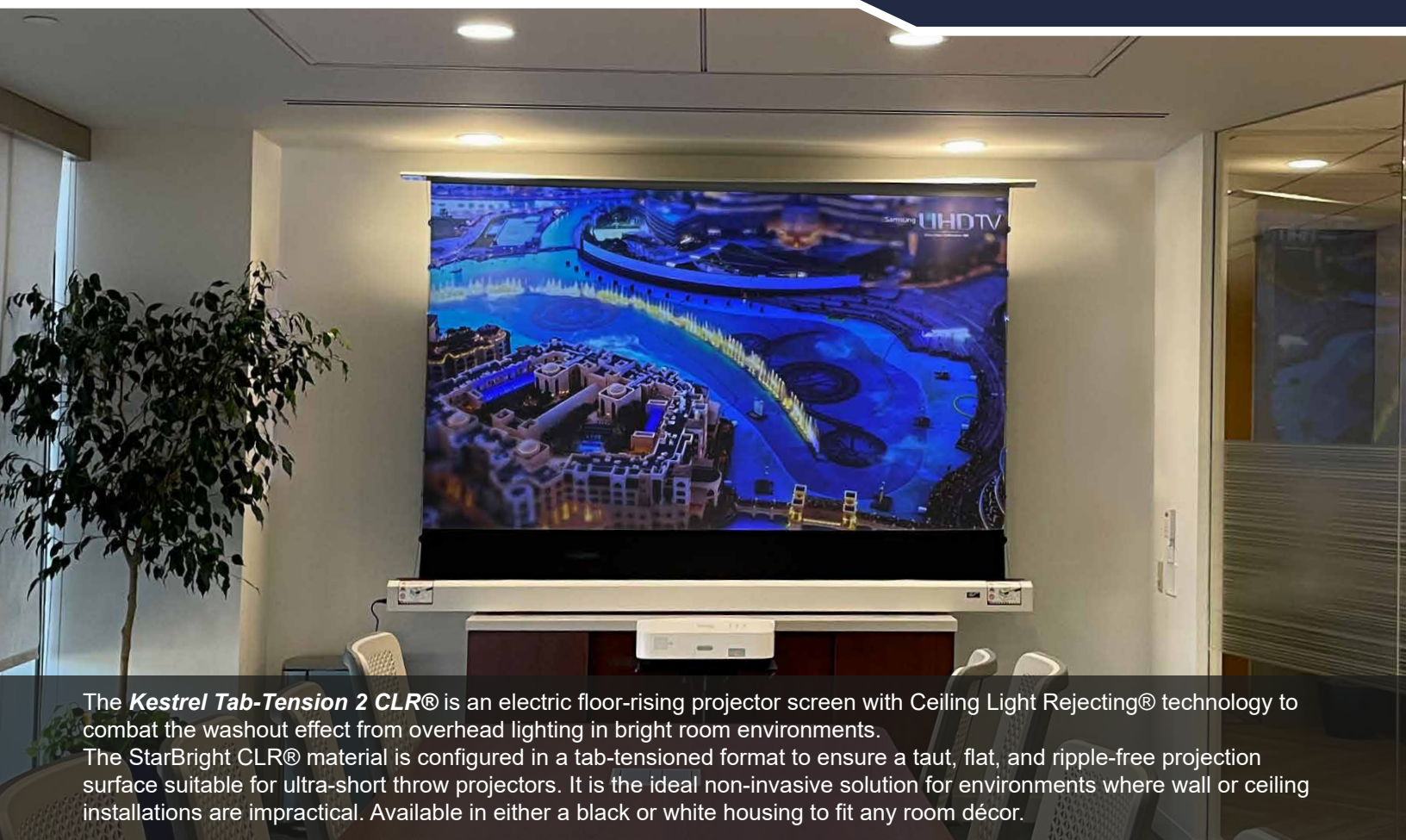
Kestrel Tab-Tension 2 CLR® Dimensions Table

Model Number	Nominal Diagonal	Aspect Ratio	Screen Material	Gain	Case Length (A)	Viewable Width (A1)	Screen Width (A2)	Top Cover Length (A3)	Distance between right end to fabric (A4)	Distance between left end to fabric (A5)	Overall Height (B)	Viewable Height (B1)	Fabric Height (B2)	Bottom Black Border (B3)	Screen Height (B4)	Packing Dims (LxWxH)			Net Weight	Gross Weight
<i>Unit: inch</i>																			Lbs	Lbs
FTE101UH2-CLR	101"	16:9	CLR® 3	0.8	97.2	88.0	88.9	97.0	3.8	3.4	65.4	49.5	51.7	8.0	59.7	103.4	10.8	10.2	57.3	70.6
FTE101XH2-CLR	101"	16:9	CLR® 3	0.8	97.2	88.0	88.9	97.0	3.8	3.4	65.4	49.5	51.7	8.0	59.7	103.4	10.8	10.2	57.3	70.6
FTE121UH2-CLR	121"	16:9	CLR® 3	0.8	114.7	105.5	106.0	114.5	3.6	3.2	78.6	60.9	73.0	12.0	73.0	120.7	10.8	10.2	66.1	77.6
FTE121XH2-CLR	121"	16:9	CLR® 3	0.8	114.7	105.5	106.0	114.5	3.6	3.2	78.6	60.9	73.0	12.0	73.0	120.7	10.8	10.2	66.1	77.6
<i>Unit: mm</i>																			Kgs	Kgs
FTE101UH2-CLR	101"	16:9	CLR® 3	0.8	2469	2236	2257	2464	96	87	1660	1258	1314	203	1517	2625	275	260	26.0	32.0
FTE101XH2-CLR	101"	16:9	CLR® 3	0.8	2469	2236	2257	2464	96	87	1660	1258	1314	203	1517	2625	275	260	26.0	32.0
FTE121UH2-CLR	121"	16:9	CLR® 3	0.8	2912	2679	2693	2907	92	81	1996	1548	1853	305	1853	3065	275	260	30.0	35.2
FTE121XH2-CLR	121"	16:9	CLR® 3	0.8	2912	2679	2693	2907	92	81	1996	1548	1853	305	1853	3065	275	260	30.0	35.2

Note: Data Error may be +/- 1"

The listed measurements are for general reference only. Please contact Elite Screens to verify product design and dimensions before attempting to integrate its products with any structural or furniture modification. Although a manufacturer may offer product advice, it may be taken or disregarded at the integrator's discretion. Elite Screens will not be held responsible or be otherwise liable for faulty installations.





The **Kestrel Tab-Tension 2 CLR®** is an electric floor-rising projector screen with Ceiling Light Rejecting® technology to combat the washout effect from overhead lighting in bright room environments. The StarBright CLR® material is configured in a tab-tensioned format to ensure a taut, flat, and ripple-free projection surface suitable for ultra-short throw projectors. It is the ideal non-invasive solution for environments where wall or ceiling installations are impractical. Available in either a black or white housing to fit any room décor.



Screen Material

- StarBright CLR® (Ceiling Light Rejecting) material absorbs up to 95% of overhead lighting
- 100x contrast enhancement over standard matte white screens under ambient light
- Multi-layered optical micro-structures filter out ambient light for superior image brightness
- Black absorbent layer improves black levels in bright and dark room environments
- Reflective layer concentrates projected light back to viewer's field of vision and negates light scatter
- Ultra-wide viewing angle allows viewers to see a clear and bright image from any position
- Special lenticular surface provides superb color fidelity, contrast and black/white dynamic range
- Black backing eliminates light penetration to avoid picture degradation
- Available in the following diagonal sizes: 101" and 121" in 16:9 aspect ratio

Design & Operation

- Elegant moisture resistant black or white aluminum housing options to fit any room décor.
- Rises and lowers using "scissor-backed" industry grade cross spring risers
- Specially designed for tabletop/bottom placed ultra-short throw projectors
- Project from within a short distance without shadowing the picture
- Includes Infrared (IR) and Radio Frequency (RF) handheld remote controls
- Wireless 12v trigger included – Synchronizes operation with projector's power cycle
- Up/Stop/Down toggle switch for manual operation
- Plug & Play ready, no hardwired installation required
- 2-Year / 3-Year ENR-G Manufacturer's Warranty by Elite Screens, an ISO9001 manufacturer since 2004



Kestrel Tab-Tension 2 CLR[®] Series

Floor Rising Ceiling/Ambient Light Rejecting (CLR[®]/ALR)

Tab-Tensioned Motorized Screen

User's Guide

IMPORTANT SAFEGUARDS

Read these instructions carefully and retain them for future use. If this product is passed to a third party, then these instructions must be included.

Caution:

The screen's Black Bottom Drop is already set to its maximum drop distance. There is NO extra Black Bottom Drop in the roller. Please be aware of this as it will void your warranty with Elite Screens[®]. Unapproved changes or modifications (except for cutting the power cord for hardwire installations) to this unit are prohibited and will void your warranty.

- To avoid damaging the unit, do not use with any unauthorized accessories not recommended by the manufacturer.
- Handle the unit carefully during transportation to avoid any damages.
- To ensure safe and reliable operation, direct connection to a properly grounded power source is advised.
- The power outlet supplying power to the unit should be close to the unit and easily accessible.
- Do not install the unit on uneven or inclined surfaces.
- Do not put heavy objects on the power cord and position it properly to avoid creating a trip obstacle.
- Never overload the power cord to prevent an electric shock or fire due to a loose contact or a short circuit.
- There are not user serviceable parts in this unit. Do not attempt to disassemble this unit by yourself. No one except authorized technicians can open and make repairs to this unit.
- Make sure the power source this unit is connected to has a continuous power flow.
- If there is need to use an extension cord, make sure the cord has an equal rating as the appliance to avoid overheating.
- Do not handle the power plug when your hands are wet, or your feet are in contact with water.

Do not use this unit under the following circumstances.

- Disconnect the power cord under the conditions of heavy rain, wind, thunder, or lightning.
- Avoid direct Sunshine, rain shower and moisture.
- Keep away from fire sources and high temperature to prevent this device from overheating.
- Cut off the power supply first before transportation or maintenance.
- Fully disconnect from the power supply when the unit is not in use for a long period of time, as should be done with any other electric household appliance.
- To avoid possible injury and/or an electric shock, do not attempt to use the screen if there is obvious damage or if there are any evident broken parts.
- Keep hands clear from the closing panels.
- Keep away from children when screen is in operation.

WARNING

Individual modifications to this product are prohibited and will void the manufacturer's warranty. Please contact the Elite Screens® Customer Service Team with any questions.

SCREEN MAINTAINANCE

Dust, dirt, and scratches on the projection screen surface will affect the quality and performance of the projection image. For optimal results we advise to pay attention to the following instructions.

1) The screen surface has a horizontal structure. **DO NOT** wipe the screen up and down or in a circular motion.

Wipe very gently when needed from left to right only.

2) Please clean the dust on the screen surface with a soft brush or microfiber cloth (rough towel or cloth may damage the screen's surface).

3) Gently wipe the screen with a lightly moistened microfiber cloth with mild soap diluted in water.

Notes:

The following precautions should be always followed to avoid damaging the material, which is not covered under warranty.

- NEVER **touch** the screen material with your bare hands as it will leave oily fingerprints which are permanent and not removable. ***Use cotton gloves when handling the material.***
- NEVER **scratch** the material, as it will leave permanent markings on the screen's surface.
- NEVER **point** to the screen material with a fingertip or other sharp objects to prevent damage to the material.
- NEVER use acetone, benzene, alcohol, and any other organic solvents to clean the screen material. Using such chemicals will permanently damage the screen.

FCC Regulatory Compliance

This device complies with Part 15 of the FCC Rules.

Operation is subject to the following two conditions:

(1) this device may not cause harmful interference, and (2) this device is susceptible to receiving interference that may cause undesired operation.

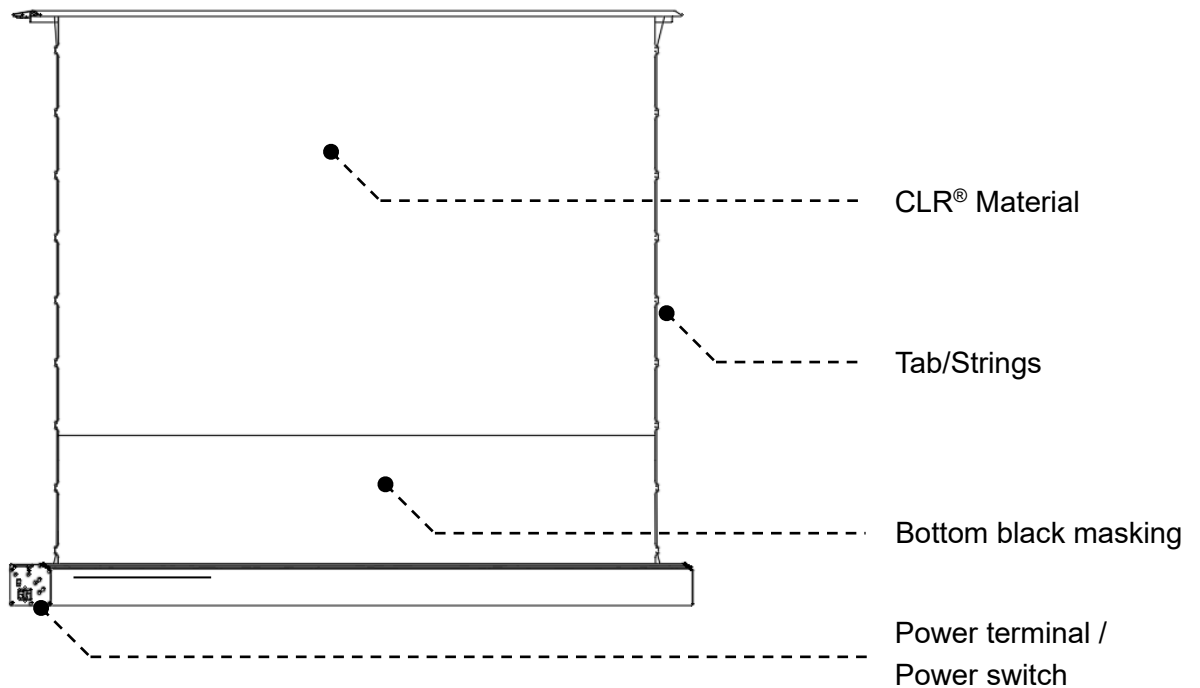
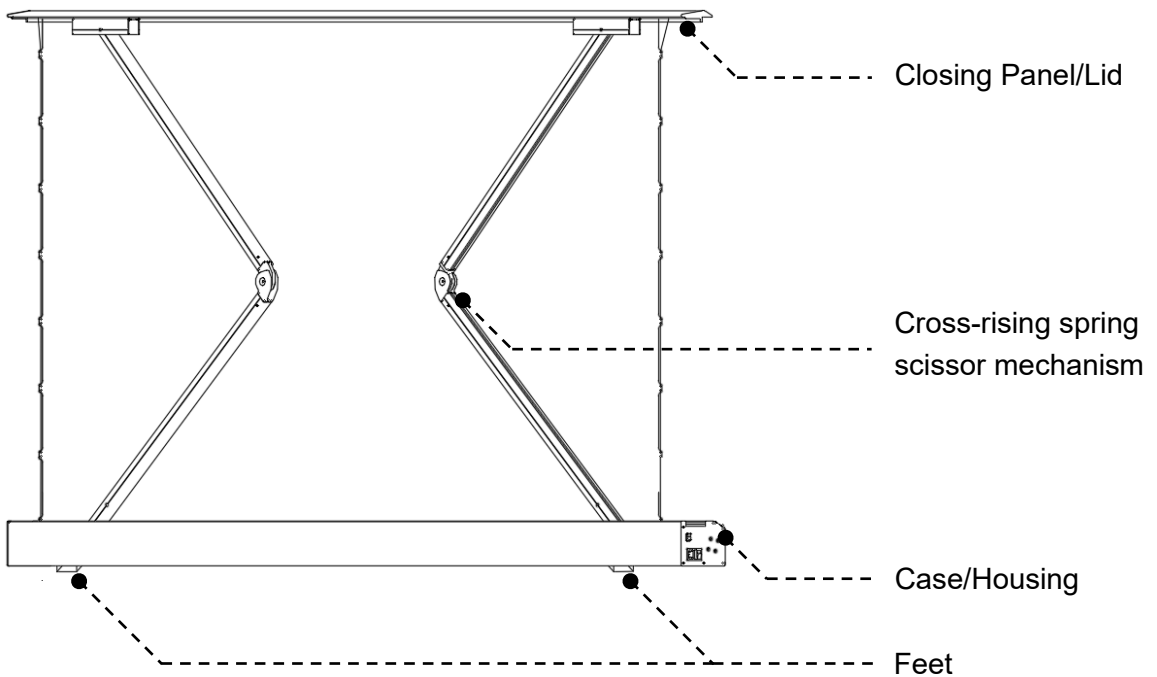
Changes or modifications not expressly approved by the party responsible for compliance could void the user's authority to operate the equipment.

This equipment has been tested and found to comply with the limits for a Class B digital device, pursuant to Part 15 of the FCC Rules. These limits are designed to provide reasonable protection against harmful interference in a residential installation. This equipment generates, uses, and can radiate radio frequency energy and, if not installed and used in accordance with the instructions, may cause harmful interference to radio communications. However, there is no guarantee that interference will not occur in a particular installation.





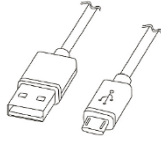
If this equipment does cause harmful interference to radio or television reception, which can be determined by turning the equipment off and on, the user is encouraged to try to correct the interference by one or more of the following measures:

- Reorient or relocate the receiving antenna.
- Increase the separation between the equipment and receiver.
- Connect the equipment into an outlet on a circuit different from that to which the receiver is connected.
- Consult the dealer or an experienced radio/TV technician for help.

This equipment complies with FCC radiation exposure limits set forth for an uncontrolled environment. This transmitter must not be co-located or operating in conjunction with any other antenna or transmitter.

PARTS IDENTIFICATION**Front of screen****Back of screen**

Note: Please always store the screen flat horizontally. Never store the screen in a vertical position as it will permanently damage the screen's structure, shift the material, and cause wrinkles/folds which will void the warranty.

Kestrel Tab-Tension 2 CLR® Series Controls and Accessories				
A. Radio Frequency (RF) Remote control	B. Infrared (IR) Remote Control	C. IR extended receiver	D. Radio Frequency (RF) USB wireless trigger	* E. Micro USB Charging Cable
		Installed inside housing near circuit board box 		

*Included with rechargeable remote version only

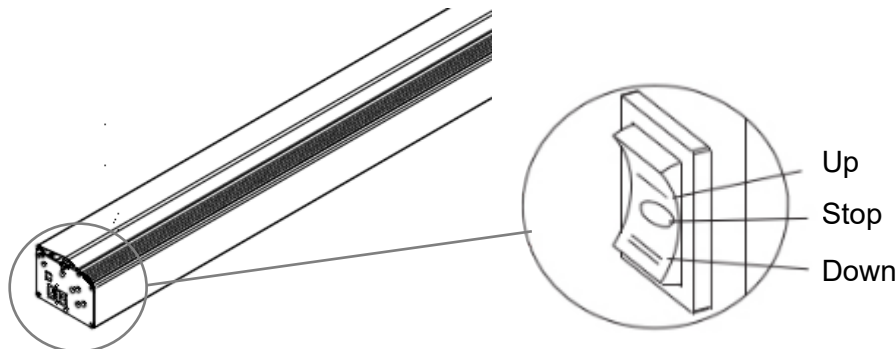
SCREEN OPERATION

Electric Current: Depending on your region, the screen will operate in either 110v or 220v voltage.

1. After ensuring the power outlet & screen are compatible (voltage), plug the power cord into the power outlet.
2. Once the screen has power, you'll be able to control it using any of the **4 methods** described below.

4 ways to control your Kestrel Tab-Tension 2 CLR® Screen

1. **Manual Operation Switch:** The left side of the screen's housing includes a UP/STOP/DOWN switch to raise, lower and stop the screen without the use of the RF/IR remote.



2. **RF Remote Control (Item A):** The RF (A) remote is best used when the screen is concealed or when long distance control is required. The RF technology therefore is more versatile as it does not require line of sight to operate the screen.
3. **IR Remote Control (Item B) and IR Eye Receiver (Item C):** The IR remote (B) requires a direct line of sight through the screen's IR receiver. Place the IR Eye Receiver (C) in a suitable location free from obstruction. Then point the IR remote to the IR Eye receiver to operate the screen.
 ※ IR Eye Receiver has been installed inside the housing on left side (power terminal side)

4. USB RF wireless trigger (Item D): The RF wireless trigger (D) can synchronize your projector's power cycle to the screen's UP/DOWN operation.

※ *The trigger has been synchronized to your electric screen.*

- a. **Connect** the RF wireless trigger into the projector's USB port.
- b. **Make sure to enable this feature if needed in your projector's menu settings.**
- c. **Power ON** the projector. The screen should raise (up) the screen automatically.
- d. **Power OFF** the projector. The screen should descend (down) the screen automatically.

NOTE

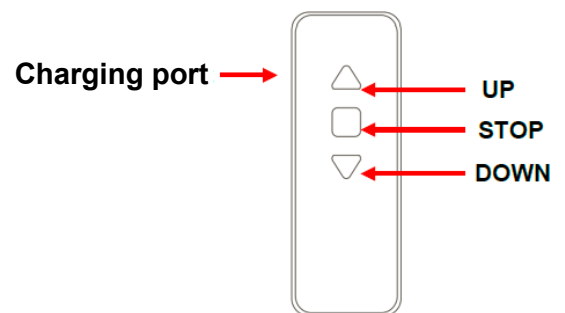
- When powering off the projector, assure it is completely powered off (ex. fan off), then the screen will retract automatically.
- If the motorized screen does not automatically drop or retract, repeat the process from step one.

Remote control battery operated and charging instructions:

Note: One or the other type included not both types.

Rechargeable version

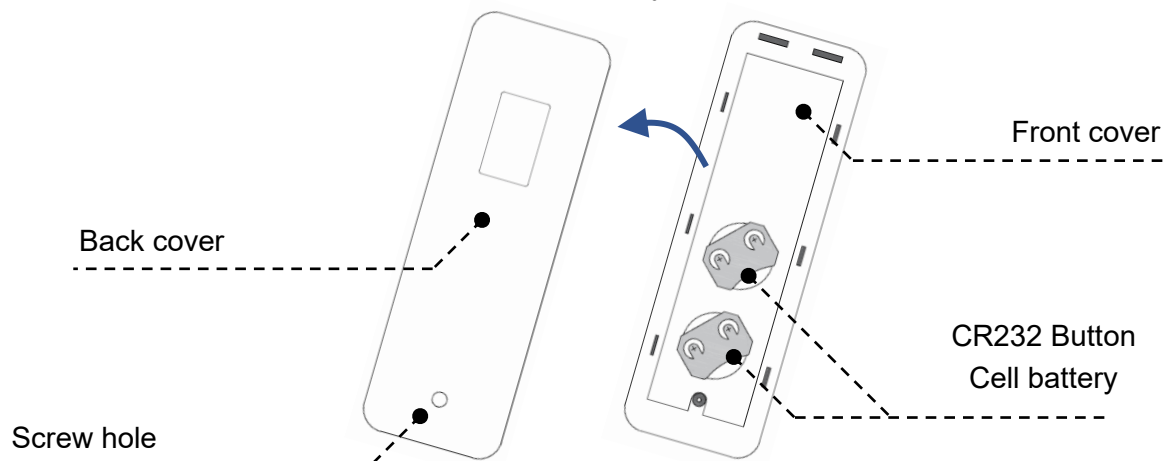
Charge the RF or IR remote by plugging the Micro USB Charging cable (Item E) into any USB power source and into the left side of your RF or IR Remote Control. While charging, you will see a solid red light above the touch sensitive buttons. For your convenience, you may use the remote while it charges. Note: The red light may dim while charging.



Battery version

Follow the steps below to replace the CR232 button cell batteries (2x required) on the remote control.

- a. **Unscrew** the back cover of the remote control.
- b. **PUSH UP** to remove the back cover.
- c. Replace the old batteries with new batteries.
- d. Put the back cover on the remote control secure with screw.
- e. Check the operation of the remote control to verify screen responds to the commands.

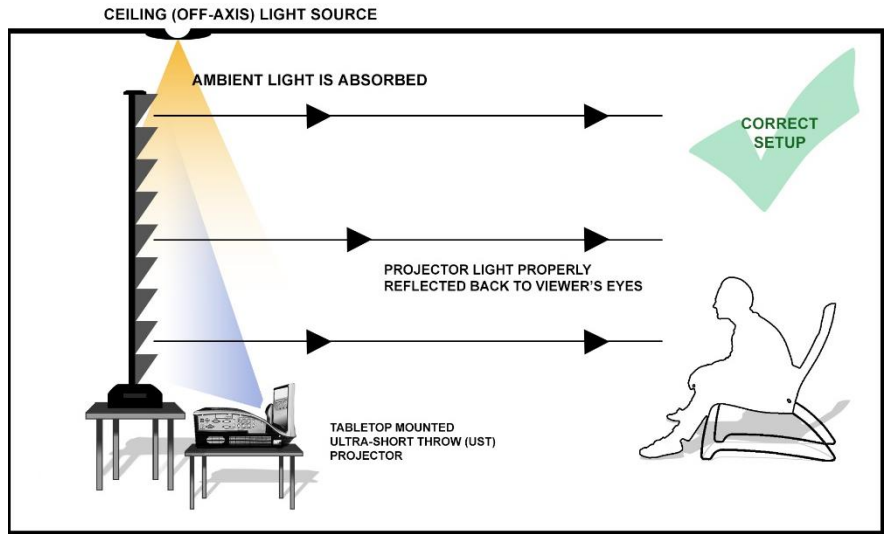


Notice to Installer:

PROPER PROJECTOR PLACEMENT

The **StarBright CLR®** is exclusively for tabletop/bottom mounted ultra-short throw projectors. See illustrations below for limits and criteria.

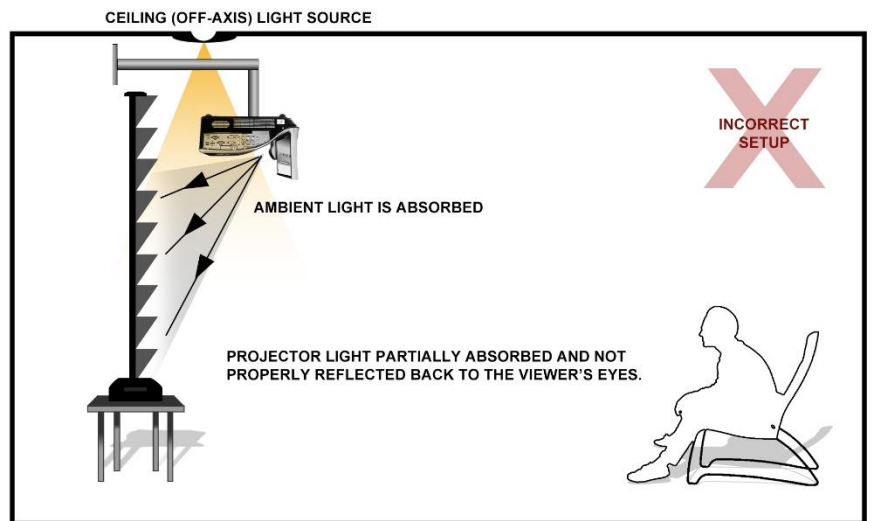
1) Tabletop mounted ultra-short throw projection illustration



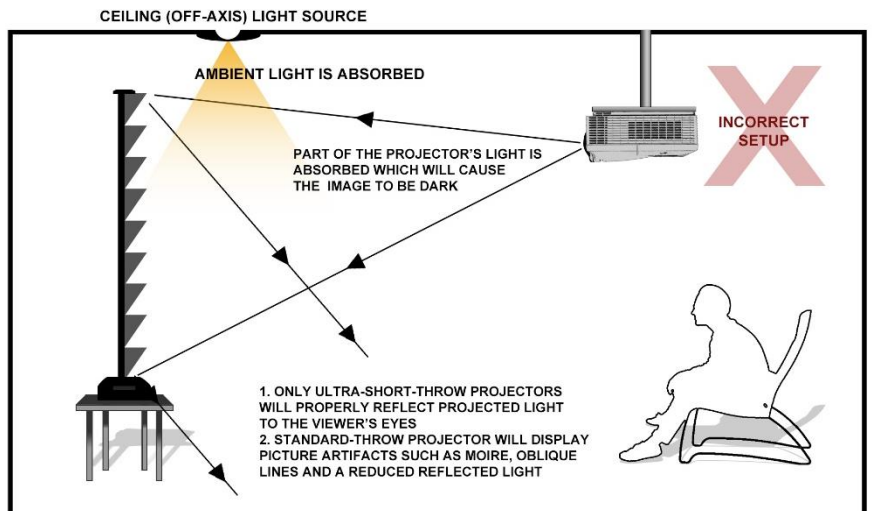
IMPROPER PROJECTOR PLACEMENT

Overhead placement or a standard throw projector will make the image very dark on account of the screen's absorbent layer deflecting light that is not aligned with its reflective angle.

1) Ceiling mounted Ultra-short throw projector illustration



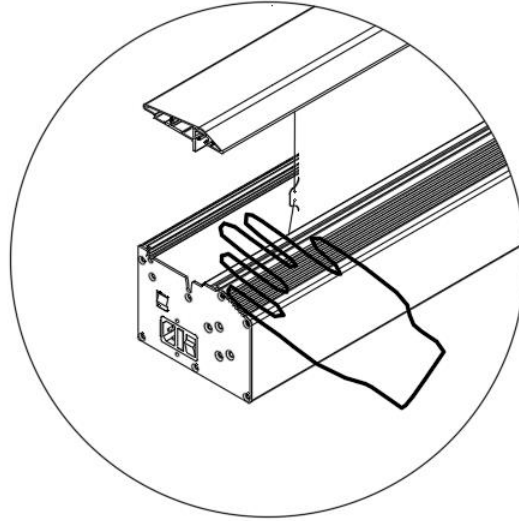
2) Ceiling mounted Short and Standard throw Projector Illustration



Note:
Images are not up to scale and are for illustrations purposes only

ANTI-PINCH SAFETY FEATURE

Prevent injury or damage to the screen when an object interferes with the screen's descend during its operation. The screen is equipped with an anti-pinch safety feature which prevents the closing panel/lid to stop when it detects an object



For more information, technical support or your local Elite Screens® contact, please visit <http://www.elitescreens.com/>



Kestrel Tab-Tension CLR® Series

Floor Rising Ceiling/Ambient Light Rejecting (CLR®/ALR) Tab-Tensioned Motorized Screen

User's Guide

IMPORTANT SAFEGUARDS

Read these instructions carefully and retain them for future use. If this product is passed to a third party, then these instructions must be included.

Caution: The screen's Black Bottom Drop is already set to its maximum drop distance. There is NO extra Black Bottom Drop in the roller. Please be aware of this as it will void your warranty with Elite ProAV™. Unapproved changes or modifications (except for cutting the power cord for hardwire installations) to this unit are prohibited and will void your warranty.

- To avoid damaging the unit, do not use with any unauthorized accessories not recommended by the manufacturer.
- Handle the unit carefully during transportation to avoid any damages.
- To ensure safe and reliable operation, direct connection to a properly grounded power source is advised.
- The power outlet supplying power to the unit should be close to the unit and easily accessible.
- Do not install the unit on uneven or inclined surfaces.
- Do not put heavy objects on the power cord and position it properly to avoid creating a trip obstacle.
- Never overload the power cord to prevent an electric shock or fire due to a loose contact or a short circuit.
- There are not user serviceable parts in this unit. Do not attempt to disassemble this unit by yourself. No one except authorized technicians can open and make repairs to this unit.
- Make sure the power source this unit is connected to has a continuous power flow.
- If there is need to use an extension cord, make sure the cord has an equal rating as the appliance to avoid overheat.
- Do not handle the power plug when your hands are wet, or your feet are in contact with water.

Do not use this unit under the following circumstances.

- Disconnect the power cord under the conditions of heavy rain, wind, thunder or lightning.
- Avoid direct Sunshine, rain shower and moisture.
- Keep away from fire sources and high temperature to prevent this device from overheating.
- Cut off the power supply first before transportation or maintenance.
- Fully disconnect from the power supply when the unit is not in use for a long period of time, as should be done with any other electric household appliance.
- To avoid possible injury and/or an electric shock, do not attempt to use the screen if there is obvious damage or if there are any evident broken parts.
- Keep hands clear from the closing panels.
- Keep away from children when screen is in operation.

WARNING

Individual modifications to this product are prohibited and will void the manufacturer's warranty. Please contact the Elite ProAV Customer Service Team with any questions.

NOTE:

This equipment has been tested and found to comply with the limits for a Class B digital device, pursuant to Part 15 of the FCC Rules.

The product settings are designed to provide reasonable protection against any radio interference within a residential installation. If properly installed, the Kestrel Tab-Tension CLR® screen may suffer from RF interference from other home electronics.

Although radio interference affecting other household electronics is unlikely, the following steps can be taken should RF interference occur.

- ✓ **Reorient or relocate the receiving antenna on the device that may be causing the interference.**
- ✓ **Increase the distance between the screen and the interfering device's receiver.**
- ✓ **Connect the projection screen to another power source apart from the interfering device.**

SCREEN MAINTAINANCE

Dust, dirt and scratches on the projection screen surface will affect the quality and performance of the projection image. For optimal results we advise to pay attention to the following instructions.

1) The screen surface has a horizontal structure. **DO NOT** wipe the screen up and down or in a circular motion.

Wipe very gently when needed from left to right only.

2) Please clean the dust on the screen surface with a soft brush or microfiber cloth (rough towel or cloth may damage the screen's surface).

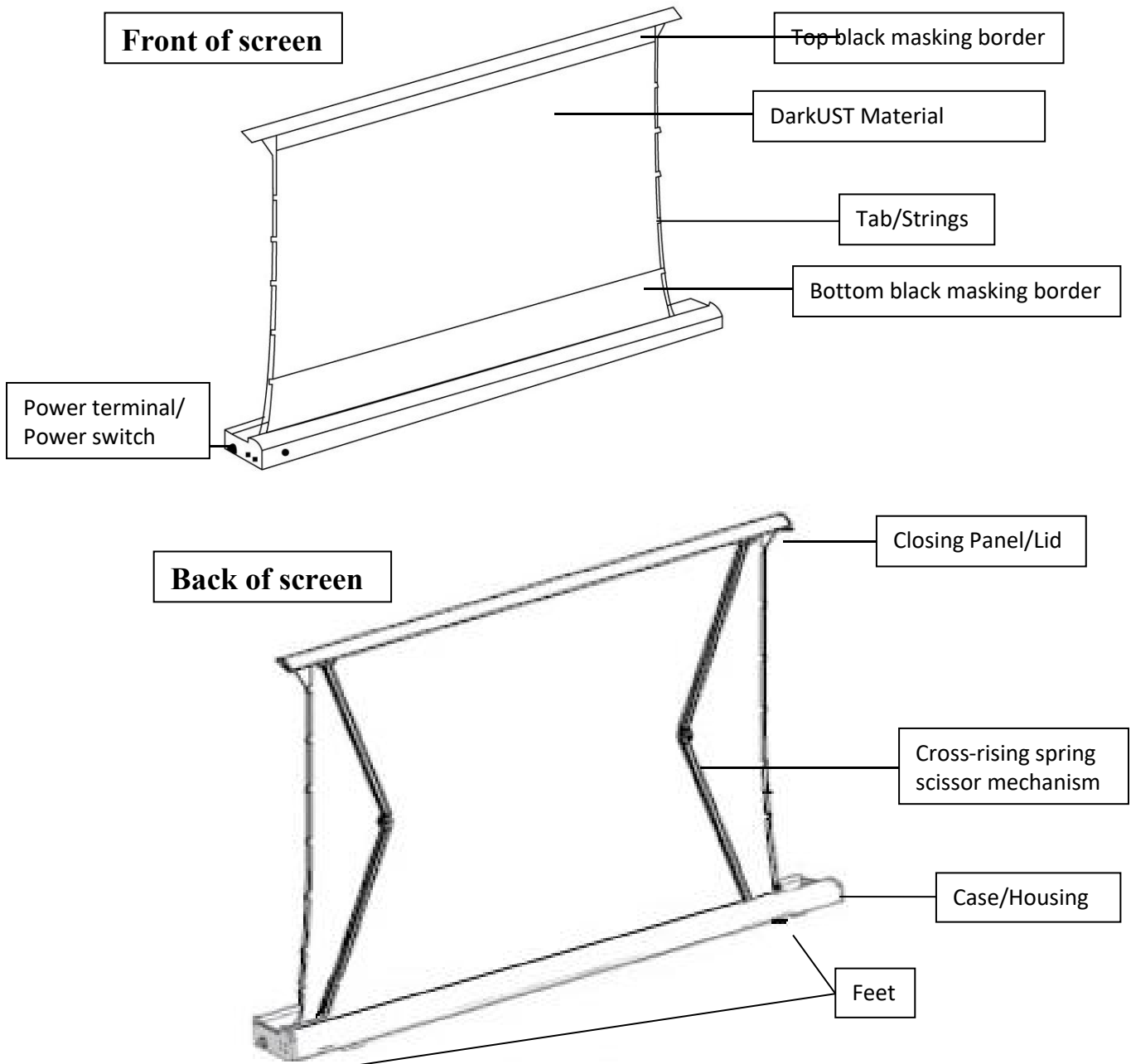
3) Gently wipe the screen with a lightly moistened microfiber cloth with mild soap diluted in water.

Notes:

The following precautions should be followed at all times to avoid damaging the material, which is not covered under warranty.





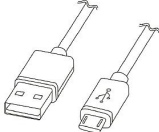
- Don't **touch** the screen material to avoid leaving fingerprints. *Use gloves when handling the material.*
- Don't **scratch** the material, as it will leave permanent markings on the screen's surface.
- Don't **point** to the screen material with a fingertip or other sharp objects to prevent damage to the material.
- Don't use acetone, benzene, alcohol and any other organic solvents to clean the screen material. Using such chemicals will permanently damage the screen.

PARTS IDENTIFICATION



Note: Please always store the screen flat horizontally. Never store the screen in a vertical position as it will permanently damage the screen's structure and void the warranty.

Kestrel Tab-Tension CLR® Series | Controls and Accessories

A. Radio Frequency (RF) Remote Control x1pc	B. Infrared (IR) Remote Control x1pc	C. IR Eye Receiver x1pc (Installed on the housing)	D. Wireless 12-volt projector trigger x1pc	E. Micro USB Charge Cable x 1pc
				

SCREEN OPERATION

Electric Current: Depending upon region, your Elite ProAV Screen will operation 110v, or 220v voltage.

1. After ensuring the power outlet & screen are compatible (voltage), plug the power cord into the power outlet.
2. Once the screen has power, you'll be able to control it using any of the **4 methods** described below.

4 ways to control your Kestrel Tab-Tension CLR® Screen

1. **Manual Operation Switch:** The left side of the screen's housing includes a UP/STOP/DOWN switch to raise, lower and stop the screen without the use of the RF/IR remote.



Note: *Please charge the remotes prior to first use. The IR&RF remotes are touch sensitive remote controls. Make sure to place your finger directly in the center of the button when attempting to control your screen. You will see a blue light flash above the buttons when used properly.*

2. **IR Remote Control (Item B/C):** The IR remote (B) requires a direct line of sight through the screen's IR receiver. Put the IR Eye Receiver (C) in a suitable location free from obstruction. Then point the IR remote to the IR Eye receiver to operate the screen.
3. **RF Remote Control (Item A):** The RF (A) remote is best used when the screen is concealed or when long distance control is required. The RF technology therefore is more versatile as it does not require line of sight to operate the screen.
4. **Wireless 12 volt projector trigger:** The wireless 12-volt projector trigger (C) can synchronize to your projector's power cycle for easy operation.

The trigger has been synchronized to your electric screen.

- a. **Connect** the wireless 12V trigger into the projector's USB port.
Make sure to enable this feature if needed in your projector's menu settings.
- b. **Power ON** the projector. The screen should raise (up) the screen automatically.
- c. **Power OFF** the projector. The screen should descend (down) the screen automatically.

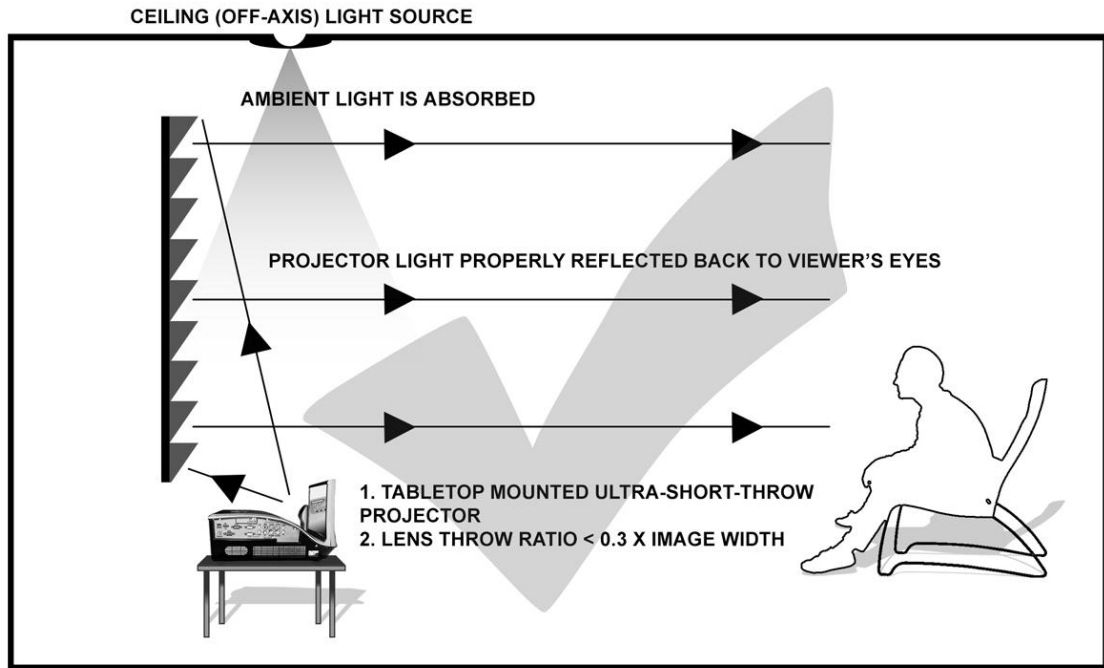
NOTE

- When powering off the projector, assure it is completely powered off (ex. fan off), then the screen will retract automatically.
- If the motorized screen does not automatically drop or retract, repeat the process from step one.

Notice to Installer:

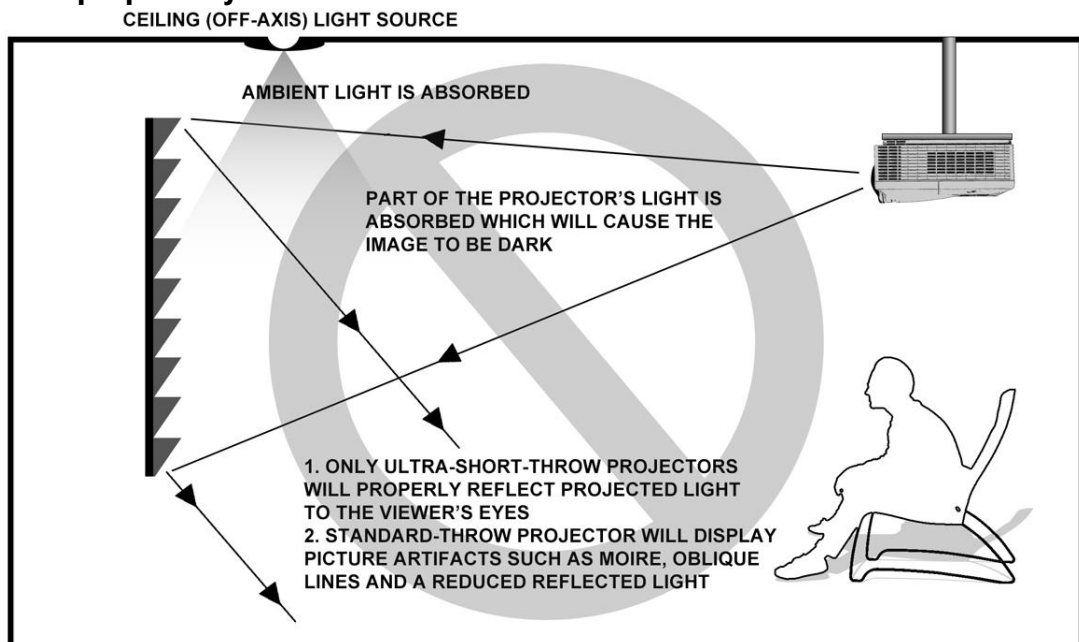
Proper Projector Placement for StarBright CLR®. The StarBright CLR® is exclusively for table-mounted ultra-short throw projectors as illustrated in example 1 below. Overhead placement or a standard projector will make the image very dark, on account of the screen's absorbent layer deflecting light that is not aligned with its reflective angle.

Example 1: Proper Projector Installation



ULTRA SHORT THROW PROJECTOR ILLUSTRATION

Example 2: Improper Projector Installation

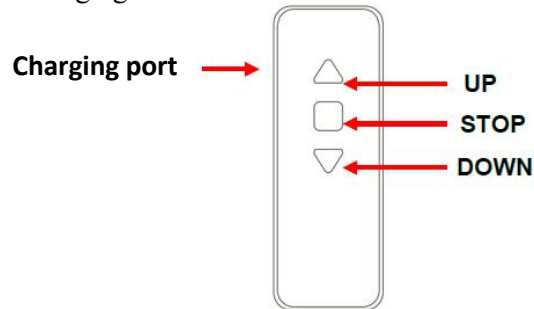


PROJECTOR CEILING INSTALLATION (NOT COMPATIBLE)

Images are not up to scale and are for illustrations purposes only.

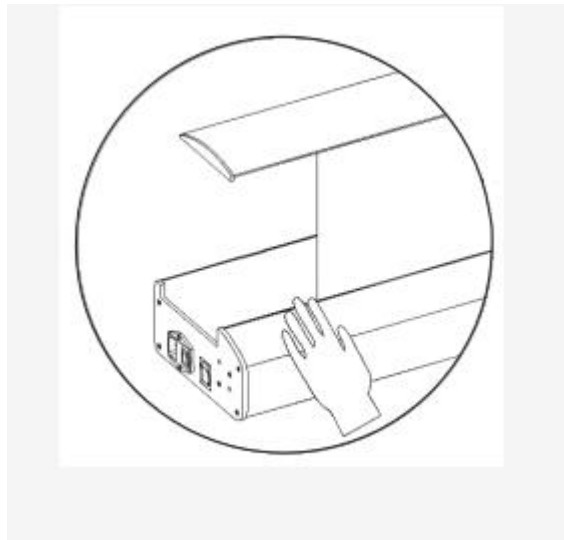
CHARGING THE RF/IR REMOTE CONTROL

Charge the RF or IR remote by plugging the Micro USB Charging cable (Item E) into any USB power source and into the left side of your RF or IR Remote Control. While charging, you will see a solid red light above the touch sensitive buttons. For your convenience, you may use the remote while it charges. Note: The red light may dim while charging.



ANTI-PINCH SAFETY FEATURE

Prevent injury or damage to the screen when an object interferes with the screen's descent during its operation. The screen is equipped with an anti-pinch safety feature which prevents the closing panel/lid to stop when it detects an object



For more information, technical support or your local Elite ProAV Screens contact, please visit www.eliteproav.com



Screen Material Maintenance Care General Cleaning Instructions

Care & Use

Proper care and use will maximize the life of the material and bring you years of enjoyment.

Care for the following materials:

AcousticPro 1080P2, AcousticPro 1080P3, AcousticPro UHD, CineWhite®, CineWhite® A8K, CineWhite® UHD, CineWhite® UHD-B, CineWhite® X, CineWhite ISF, CineGrey, MaxWhite®, MaxWhite® B, MaxWhite® 2, MaxWhite® FG, Spectra White FG, SilkWhite, SilkWhite 2, StarBright 9™, VersaWhite, WraithVeil®, WraithVeil® and WraithVeil® Dual

1. Materials needed: 2 Lint-Free white cloths, Mild Soap (hand soap is suitable) and Water.
2. Take the Lint-Free cloth and submerge it in warm water for cleaning light dust and dirt. For stubborn stains or a sticky surface, a solution of mild dishwashing liquid diluted with warm water should be used.
3. Completely ring out cloth so it is lightly dampened, not drenched.
4. Using the damp cloth, lightly wipe in an up and down motion starting at the left of the screen moving to the right of the screen. **DO NOT WIPE IN CIRCULAR MOTION.**
5. Once you have completed wiping the entire screen with a dampened Lint-Free cloth, use the dry Lint-Free cloth to wipe off any excess water from the screen.

****If heavily soiled (marked permanently): You may use alcohol with a Q-Tip to clean.**

1. Dip one side of the Q-Tip in Alcohol
2. Gently wipe marked spot ONLY.
3. Use dry side of Q-Tip to go over mark to dry it.
4. You may wipe over with dry Lint-Free Cloth to finish.

Care for the following materials:

CineGrey 3D®, CineGrey 3D® AT, CineGrey 4D, CineGrey 5D®, PowerGain and AirBright 3D2

1. Materials needed: 2 Microfiber cloths and water.
2. Gently blot the area using a lightly dampened lint-free microfiber cloth with clear warm water. **DO NOT** rub.
3. Using the damp cloth, lightly wipe in an up and down motion starting at the left of the screen moving to the right of the screen. **DO NOT WIPE IN CIRCULAR MOTION.**
4. To clean a stubborn stain or a sticky surface, spray a solution of equal parts Formula 409 and warm water onto a lint-free microfiber cloth. **DO NOT SPRAY THE SCREEN MATERIAL DIRECTLY.**

NEVER ALLOW ANY SOLVENTS TO DRY ON THE MATERIALS AS THEY WILL CREATE A STAIN THAT IS NON-REMOVABLE.

****If Heavily soiled (marked permanently): Unfortunately you may NOT use any solution to clean the surface as it will damage the screen. If there is a mark, it is permanent.**

- You can **NOT** repair a screen if it is torn.

Ceiling Ambient Light Rejection Screen Fabric Maintenance:

StarBright CLR® and CLR® 3

Dust, dirt and scratches on the projection screen surface will affect the quality and performance of the projection image. Follow the instructions below to properly maintain the screen.

1. The screen surface has a horizontal linear structure. **DO NOT** wipe the screen up and down or in a circular motion.

Wipe gently from left to right only.

2. Clean the dust on the screen surface with a soft brush or microfiber cloth. A rough/coarse towel or cloth may damage the screen's surface.

3. Gently wipe the screen with a lightly moistened white lint free cloth with water or with a neutral detergent (1mL/0.33 oz) mixed with water (1000 mL/33.8 oz).

Notes: The following precautions should always be followed to avoid damaging the material, which is not covered under warranty.

- Don't touch the screen material to avoid leaving fingerprints.
- Use gloves when handling the material.
- Don't scratch the material, as it will leave permanent markings on the screen's surface.
- Don't point to the screen material with a fingertip or other sharp objects to prevent damage to the material.
- Don't use acetone, benzene, alcohol and any other organic solvents to clean the screen material. Using such chemicals will permanently damage the screen.

Ceiling Ambient Light Rejection Screen Fabric Maintenance:

CLR® 2 Material

Dust, dirt and scratches on the projection screen surface will affect the quality and performance of the projection image. Follow the instructions below to properly maintain the screen.

1. The screen surface has a horizontal linear structure. **DO NOT** wipe the screen up and down or in a circular motion.

Wipe gently from left to right only.

2. Clean the dust on the screen surface with a soft brush or microfiber cloth.

3. Gently wipe the screen with a lightly moistened white lint free cloth with mild soap and water to remove any dirt or debris.

Notes: The following precautions should always be followed to avoid damaging the material, which is not covered under warranty.

- Don't point to the screen material with sharp objects to prevent damage to the material.
- Don't use acetone, benzene, alcohol and any other organic solvents to clean the screen material. Using such chemicals will permanently damage the screen.

For a local Elite Screens contact or Technical Support, Please visit

www.elitescreens.com