



User manual

AR2 fixed frame series (Screw adjustment type)

Rev. V210929DT

Elite Screens China Corp.

Product maintenance and precautions

Dust, dirt, and scratches on the projection screen surface will affect the quality and performance of the projection image. Follow the instructions below to properly maintain the screen.

Cleaning and maintenance:

- 1) The screen surface has a horizontal linear structure. **DO NOT** wipe the screen up and down or in a circular motion. **Wipe gently from left to right only.**
- 2) Clean the dust on the screen surface with a soft brush or microfiber cloth. A rough/coarse towel or cloth may damage the screen's surface.
- 3) Gently wipe the screen with a lightly moistened white lint free cloth with water or with a neutral detergent mixed with water.

Attention:

- 1) Don't **touch** the screen material to avoid leaving fingerprints.
Use gloves when handling the material.
- 2) Don't **scratch** the material, as it will leave permanent markings on the screen's surface.
- 3) Don't **point** to the screen material with a fingertip or other sharp objects to prevent damage to the material.
- 4) Don't use acetone, benzene, alcohol, and any other organic solvents to clean the screen material. Using such chemicals will permanently damage the screen.

※ **Note: this product is only suitable for ultra-short throw projectors**

Prepare tools before installation



1. Tape measure
x1



2. Electric drill
x1



3. Marker x1



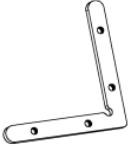




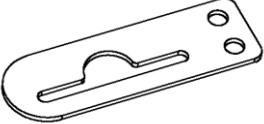

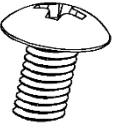
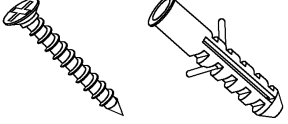
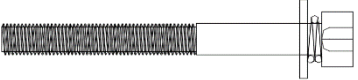
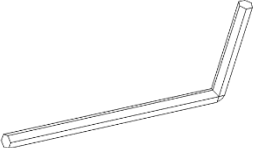
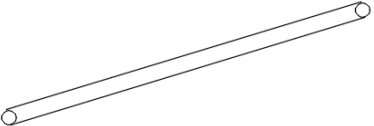




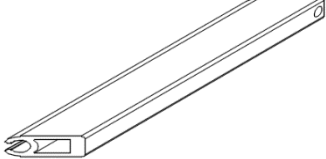
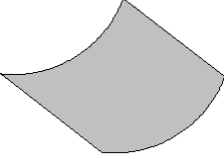
4. Screwdriver
x1



5. Hammer
x1

Hardware and Parts List

Please check whether the following accessories exist before installation. If there are any missing accessories, please contact us immediately.

<p>A. Elbow joints x 8</p> 	<p>B. Horizontal frame x 2</p> 	<p>C. Left/Right vertical frame x 2</p> 
<p>D. Edge trim x 4</p> 	<p>E. Sliding nut x 4 (Installed in the frame already)</p> 	<p>F. Wall bracket x 4</p> 
<p>G. M3x8 screw x 20</p> 	<p>H. M5x8 screw x 40 (Including 8pcs have been installed on the sliding nuts)</p> 	<p>I. M5x50 Screw and anchor x 4</p> 
<p>J. M4x40 screw x 26</p> 	<p>K. M3 Hex key x 2</p> 	<p>L. Fiberglass rod x 4</p> 
<p>M. Center support bar x 1</p> 	<p>N. Gloves x 2</p> 	<p>O. Screen material</p> 
<p>P. Corner cover x 4</p> 	<p>Q. Adjustment bar x 6</p> 	<p>R. Protection sheet</p> 

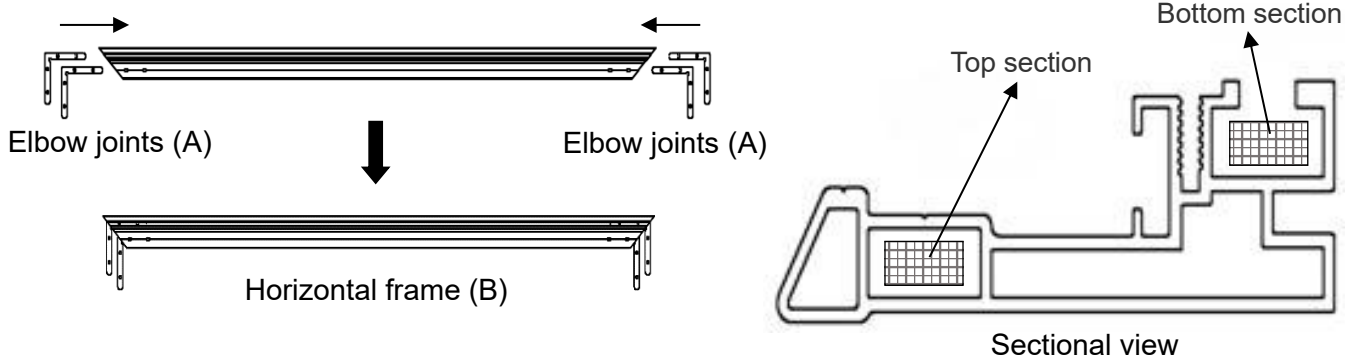
Frame assembly

First, take out all items from packaging, place the Protection sheet (R), and put it on a clean floor, and install as follows:

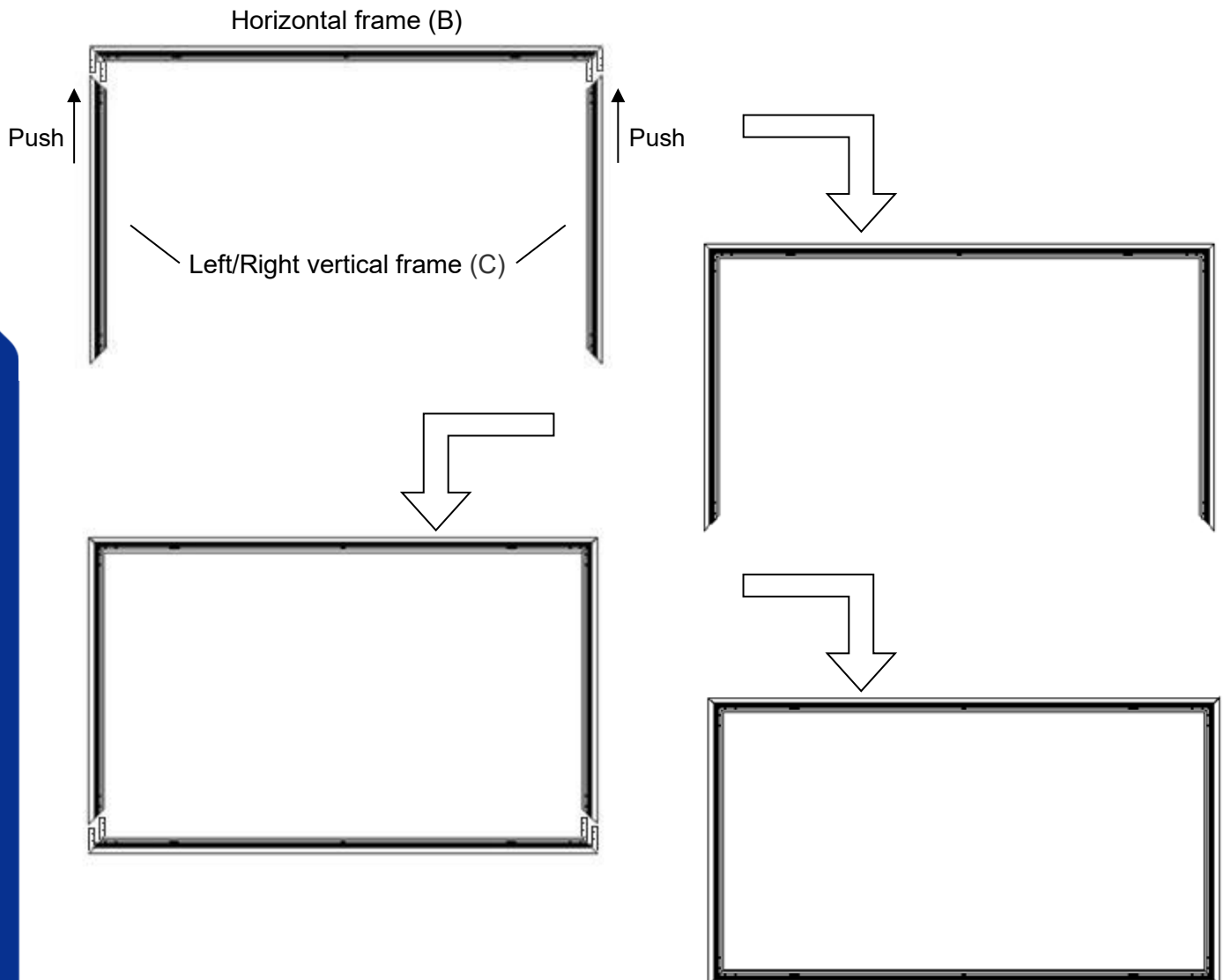
1. Insert the Elbow joints (A) into the top section and bottom section at both ends of the Horizontal frame (B), as shown in the figure.



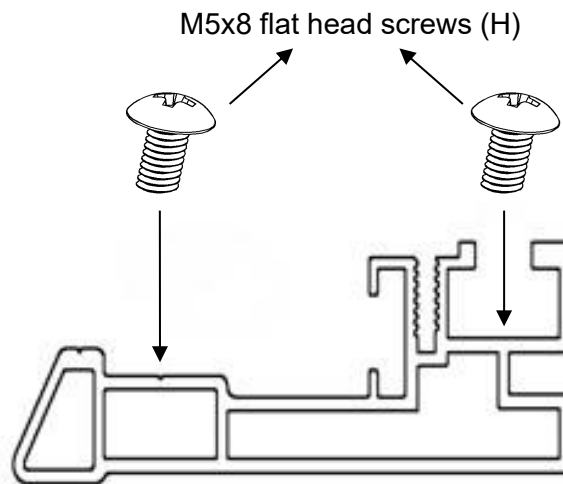
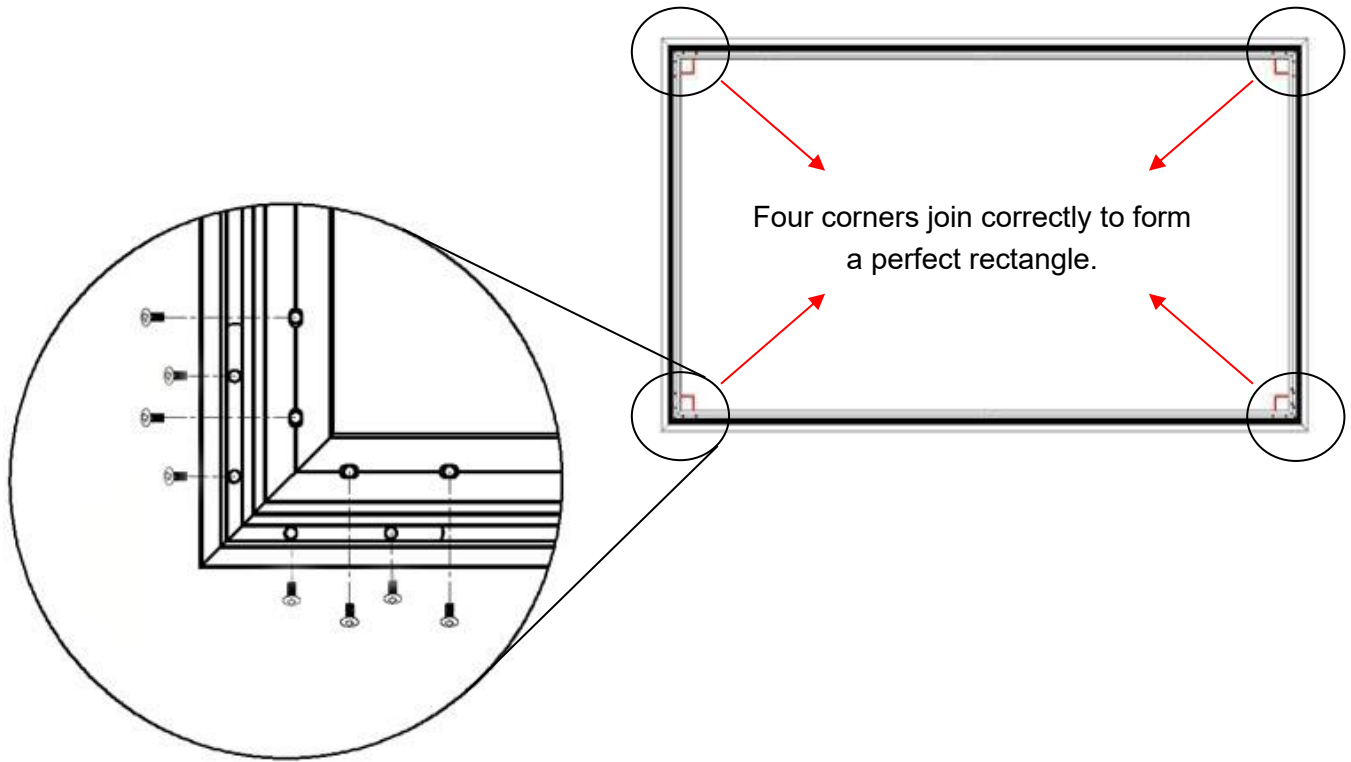
Reminder: please place the frame in a relative position before assembling to avoid scratching the frame caused by collision during assembly



2. Connect the two Left/Right vertical frame (C) along the corner, install another Horizontal frame (B) in the same way, and assemble the frame as shown in the figure.



3. Make sure all four corners are properly in place to form a perfect square, then fasten the four angles with the M5x8 flat head screws (H).



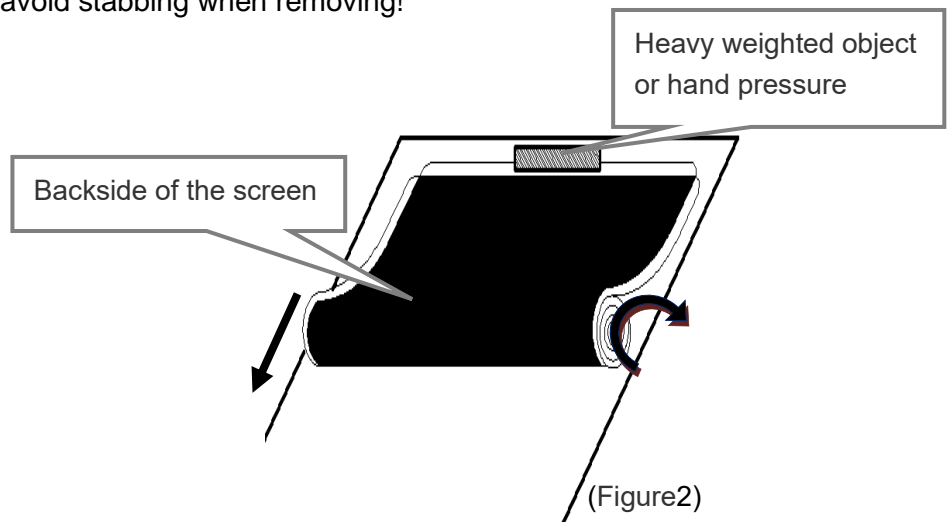
Screen Material Installation

1. First put on the installation Gloves (N) (To avoid fingerprints on the screen that cannot be erased) (Figure 1), move the completed frame from the Protection sheet (R) to a safe place, and wait for installation later.
2. Take the Screen material (O) out of the packaging tube and set it gently on the Protection sheet (R). Gently press one end of the screen (screen edge) with a suitable weighted object or hand pressure (Cannot press and crush the screen material), face down, and two people hold the other end (rolled up end) clockwise slowly rotate the screen (Figure 2).
3. Lay the material completely flat with the front facing down on a clean surface in a horizontal position (Figure 3).

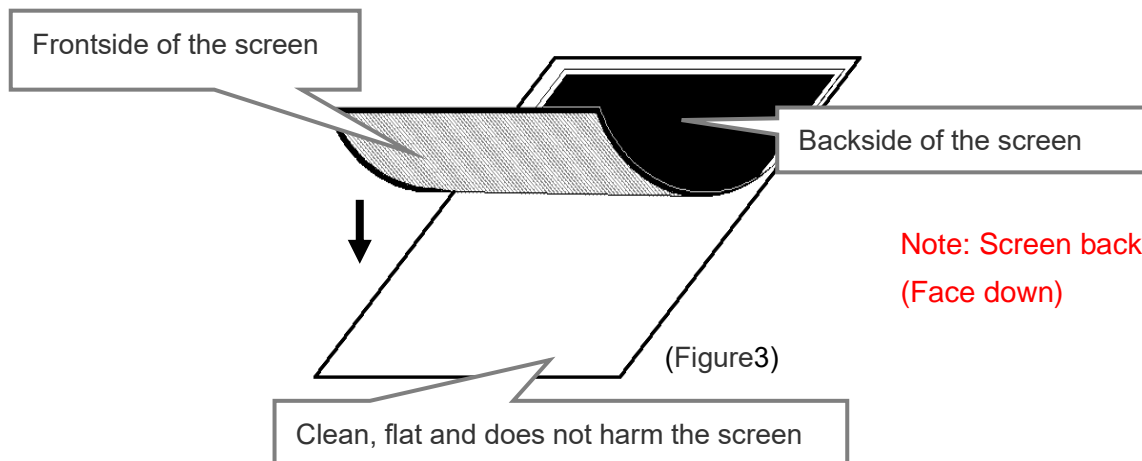
! There are thumbtacks fixed on the paper tube at the end of screen expansion, please pay attention to the thumbtacks to avoid stabbing when removing!



(Figure 1)



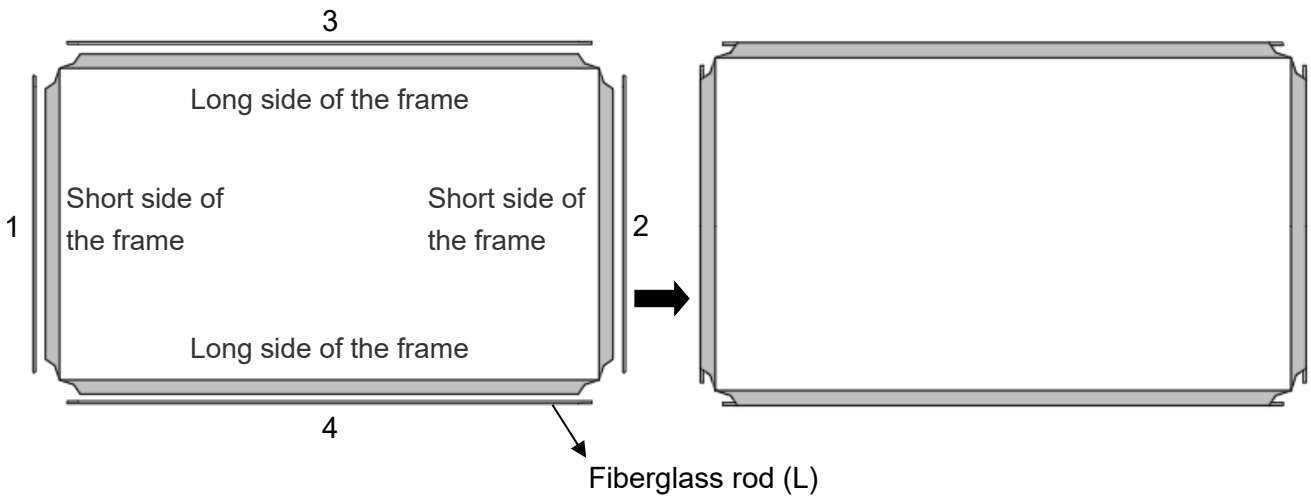
(Figure2)



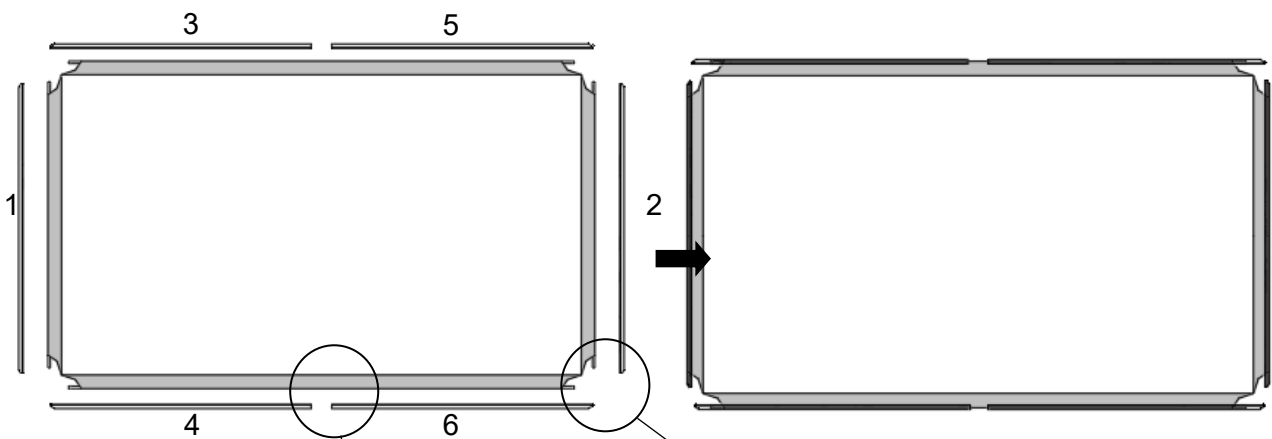
(Figure3)

Note: Screen back facing up
(Face down)

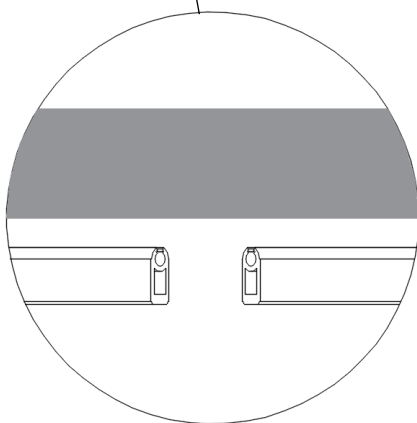
4. Insert the Fiberglass rods (L) through the openings. The shorter rods (1, 2) are used on the vertical edges of the screen material, and the longer rods (3, 4) are used on the horizontal edges, as shown below.



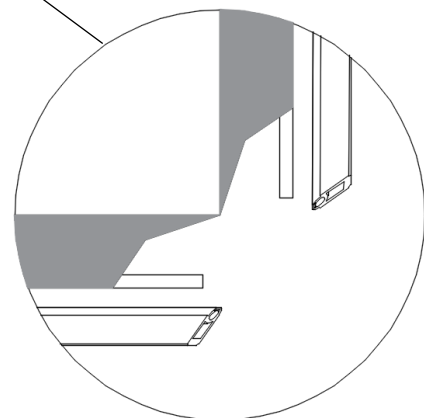
5. Insert two long Adjustment bars (Q) (1, 2) on the fiberglass rod of the short side of the screen material and two short Adjustment bars (Q) (3, 4, 5, 6) on the fiberglass rod of the long side of the screen.



Installation direction of Adjustment bars (Q):



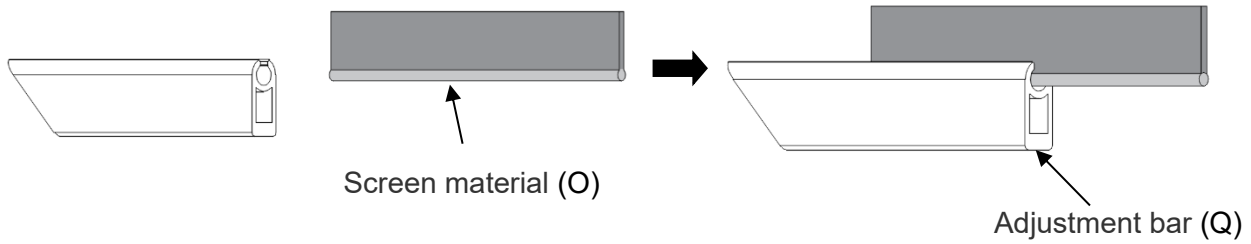
※ The upper and lower middle adjusting rods are right-angled edges



※ Please noticed that four Angle adjusting rods have bevel angles

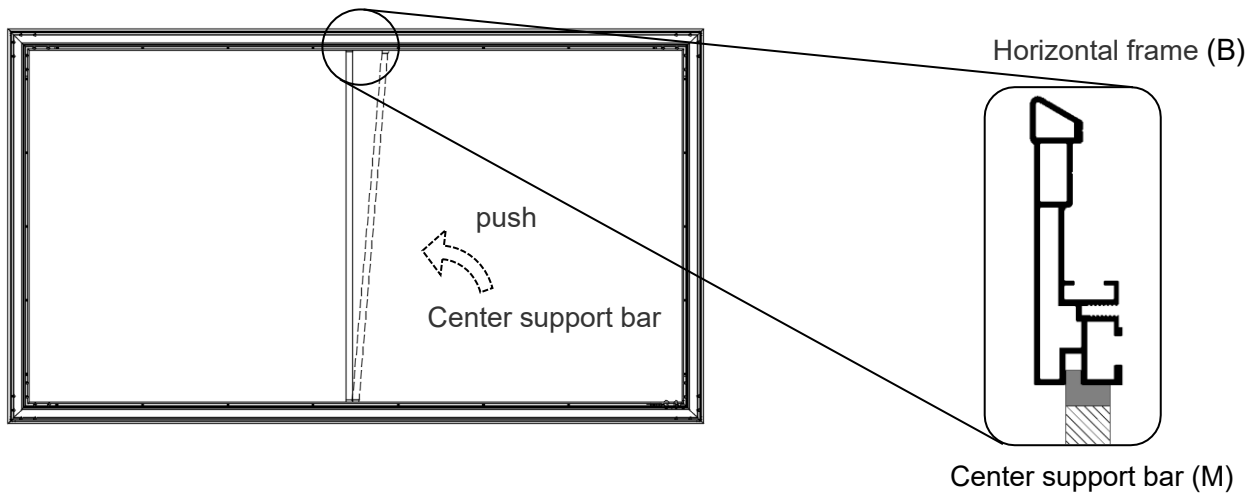
Adjustment bar installation

- ※ The adjustment bar is installed into the groove along the fiberglass rod

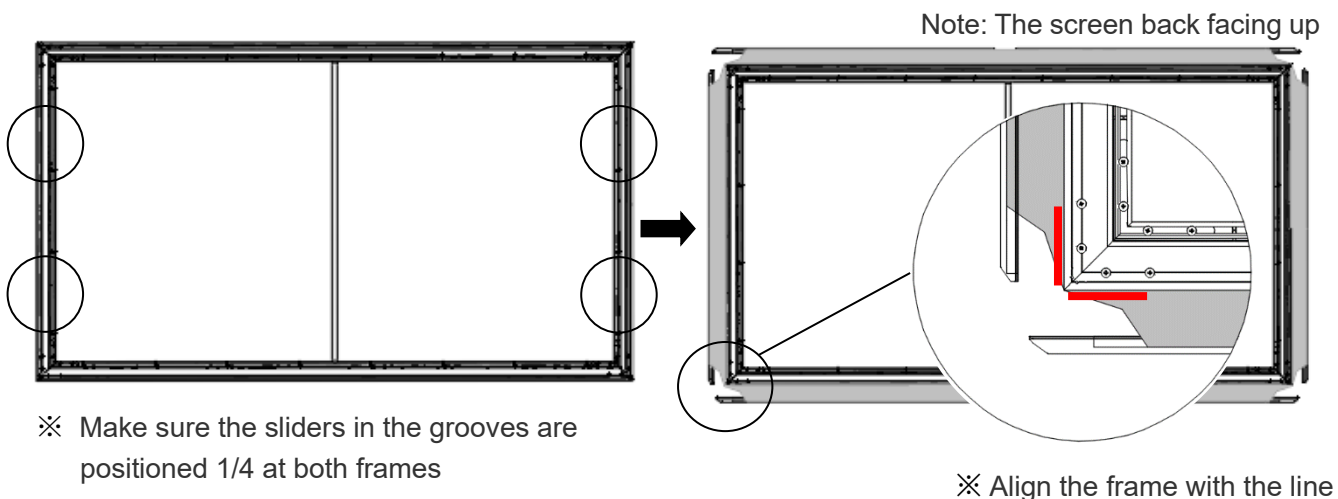


Center support bar installation

Push the Center support bar (M) in the middle of the frame and align each end of the support bar with the top and bottom frames.

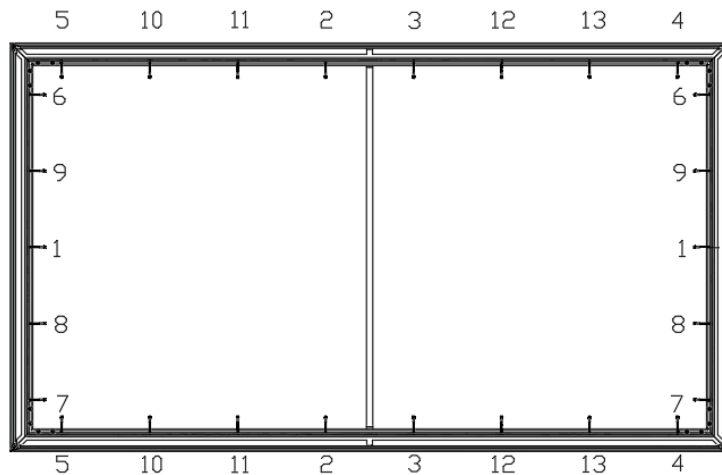


- Carefully and gently place the assembled frame on top of the screen material. In order to avoid puncturing the material, do not allow the angled edge of the frame to come in direct contact with the screen.
- Ensure that the sliders in the left and right short frames (two sliders on each side) are fixed 1/4 away from both ends.

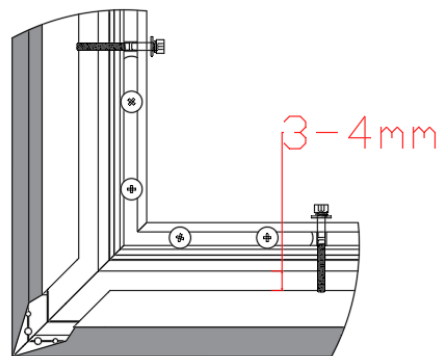


8. Insert the M4x40 screw (J) through the hole on the side of the frame, as shown below picture, and screw the M4x40 screw (J) and adjustment bar (Q) together with the M3 Hex key (K), as follows:

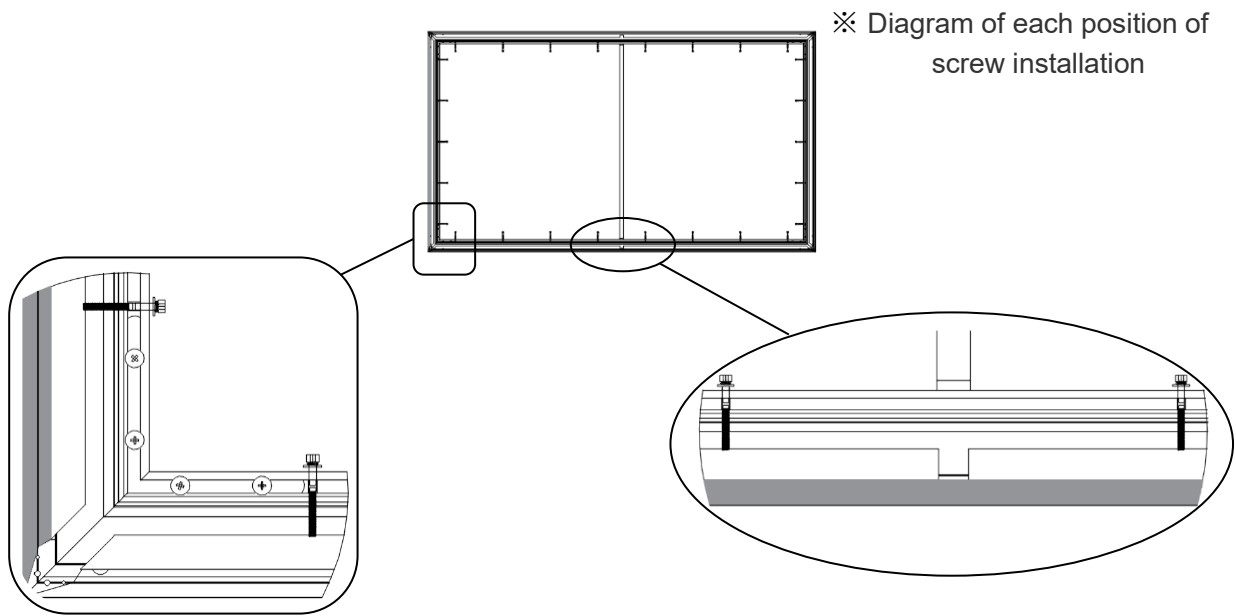
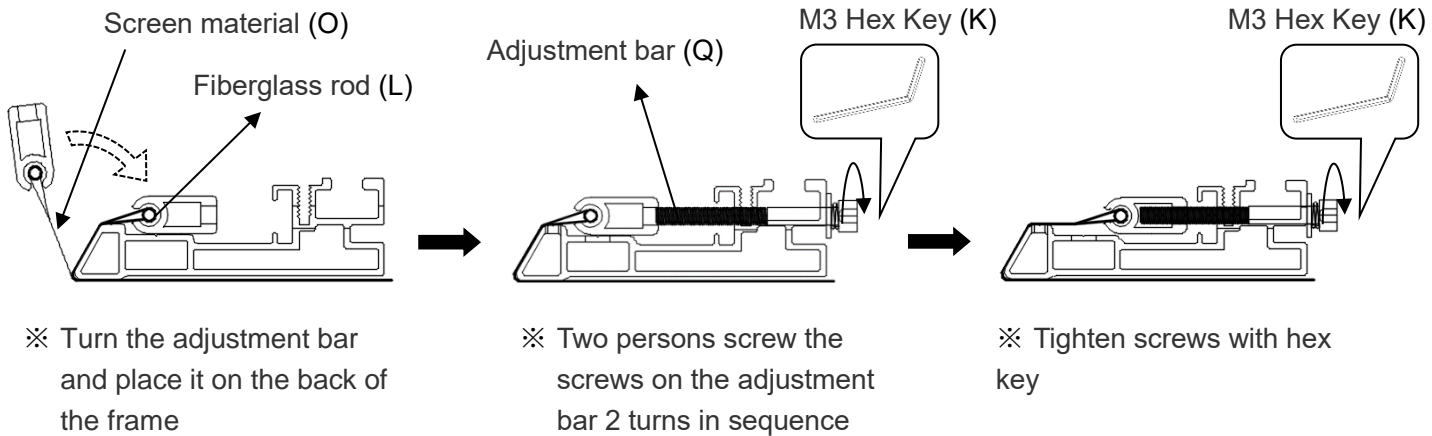
1) After the four corners are aligned with the drawing lines on the corners, two people should insert the M4x40 screw (J) through the frame hole and screw it on the adjustment bar (Q) for two turns according to the sequence of 1-1 → 2-2 → 3-3 → 4-4 → 5-5 → 6-6 → 7-7 → 8-8 → 9-9 → 10-10 → 11-11 → 12-12 → 13-13 as shown in the picture below:



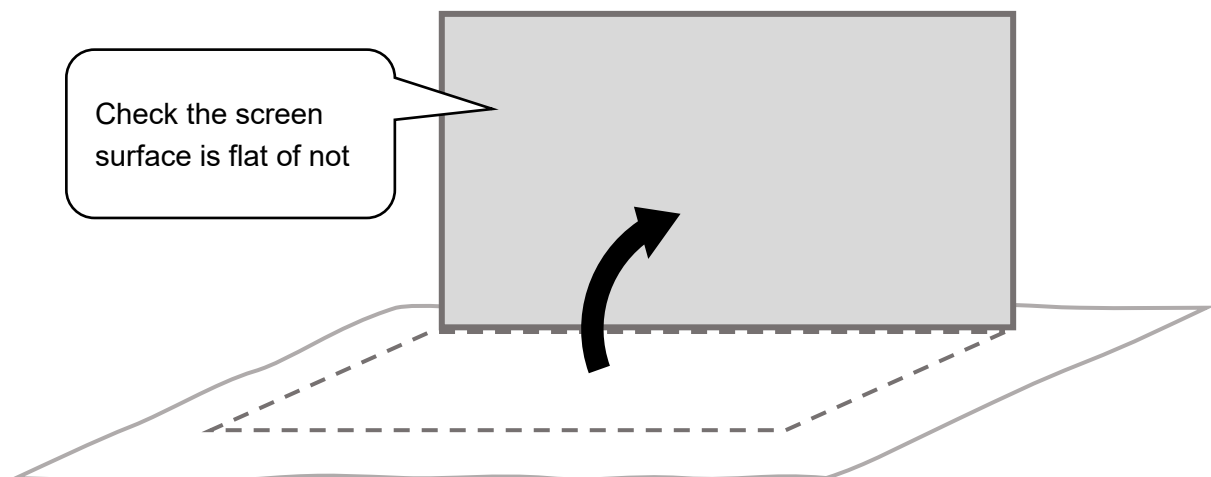
2) Fastened the M4x40 screw (J) on the adjustment bar (Q) for 2 turns, and then symmetrically tighten the screw (J) with M3 Hex key (K) in the order of 1-1 → 2-2 → 3-3 → 4-4 → 5-5 → 6-6 → 7-7 → 8-8 → 9-9 → 10-10 → 11-11 → 12-12 → 13-13. (The distance between the adjustment bar and the edge of the frame is 3-4mm. It's fastened status.)



Assemble adjustment bar and screws

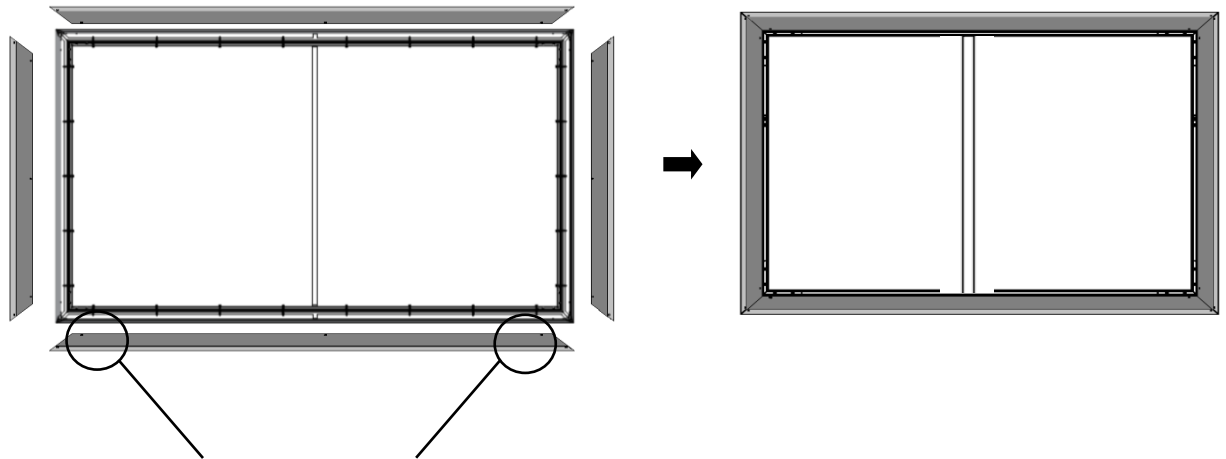


3) After installing screws 1-13, two people lift the frame to check the screen surface. Where there are waves on the screen surface, it can be restored to flat surface by adjusting the tightness of the screws.

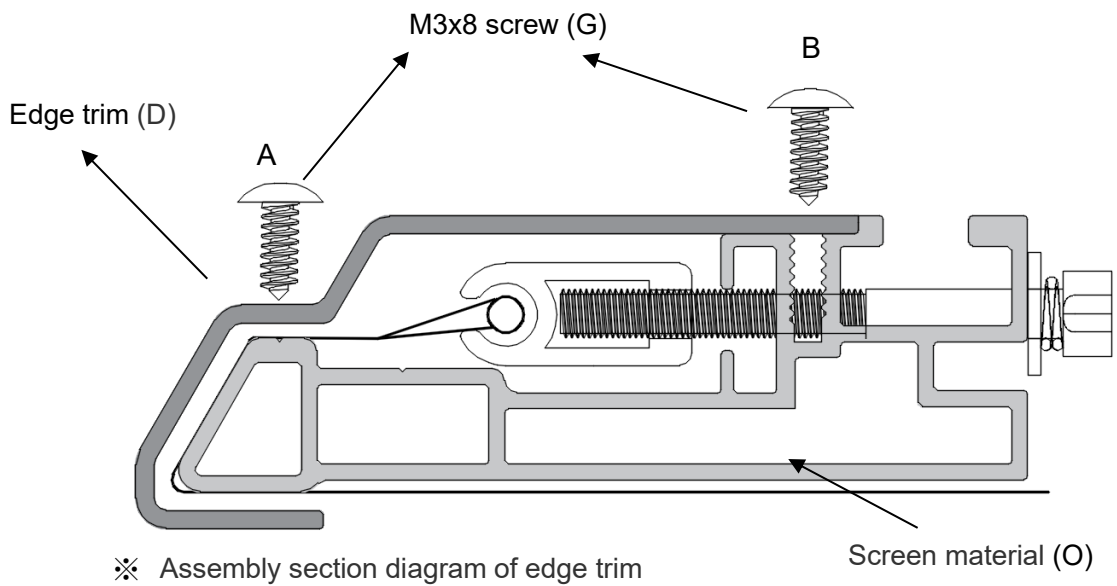


Edge trim Installation

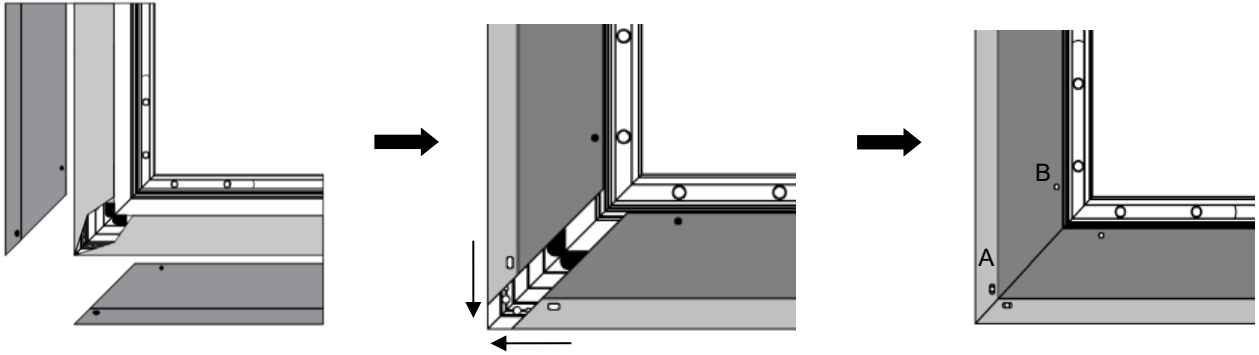
1. Place the Edge trim (D) on the four sides of the frame installed with the screen material. (Note: the edge trim affixed with LOGO is installed on the bottom frame right of the screen, and the side affixed with product label on the back of the screen is the bottom frame.)
2. Place all the trim pieces along the edge of screen material Adjust the trim so that the top and bottom trim pieces are touching and show no gaps in the center. Then Align the M3x8 screw (G) with the A & B holes as below picture shown.



Verify that product labels are attached
Decorate the trim for the bottom frame



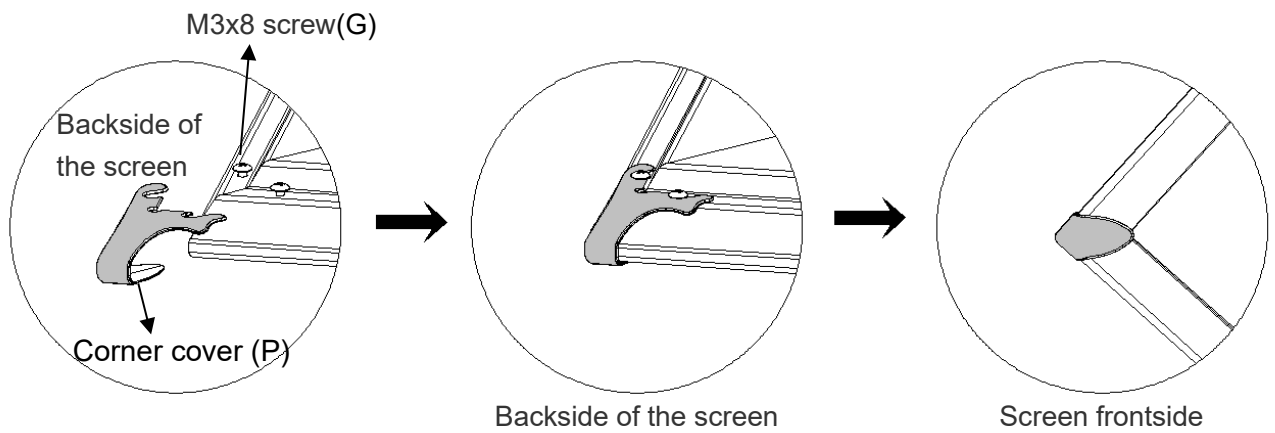
Edge trim corner installation:



※ Buckle two Edge trim (D) on the frame, and overlap in the frame Angle seam, hole alignment until no gap, first screw A screw B screw.

Install plastic corner covers

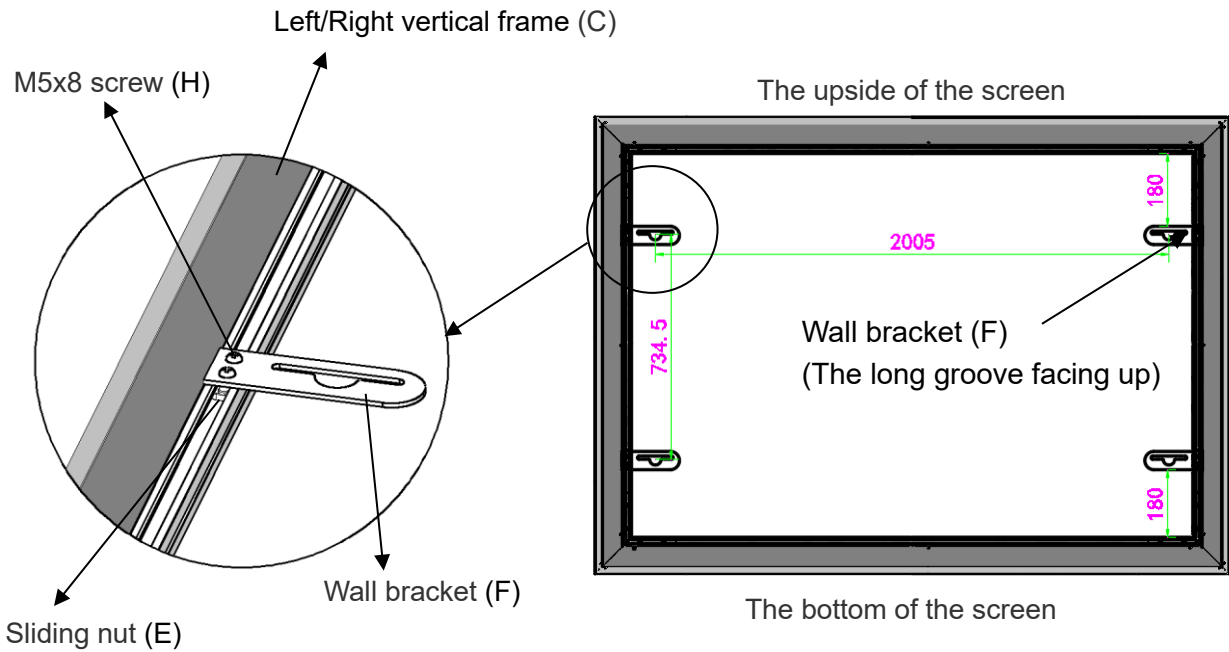
After the bezel trim has been installed, screw off A screw on edge trim (about 2mm gap), then place a corner cover (Q) on all four corners, final screw up the A screw.



Wall bracket installation

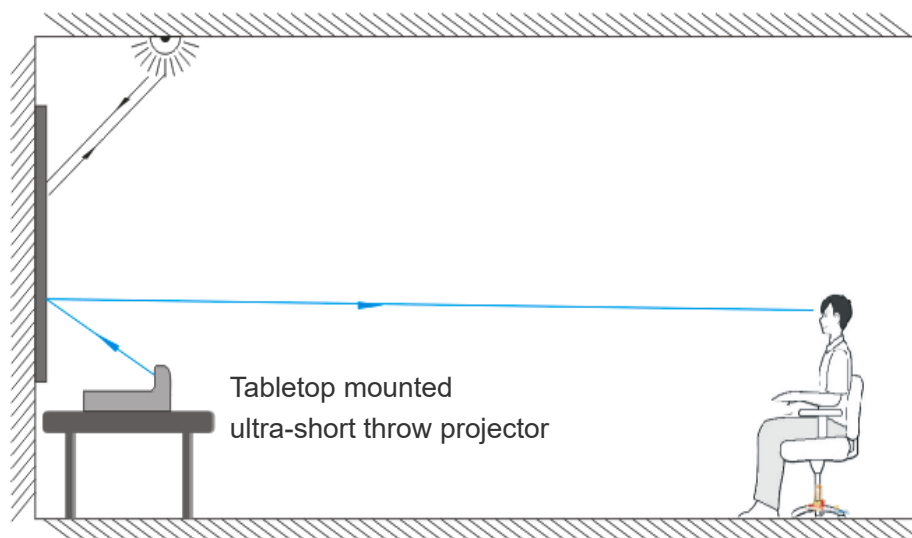
Slide the Sliding nut (E) to a quarter of Left/Right vertical frame (C), align the hole of Wall bracket (F) with the screw hole of Sliding nut (E), then fastened with M5x8 screw (H)

Note: The long groove is on the top.



Proper projector installation

Because the screen material of this product is ambient light rejecting material, only suitable for ultra-short throw projector, installation schematic diagram is as follows:

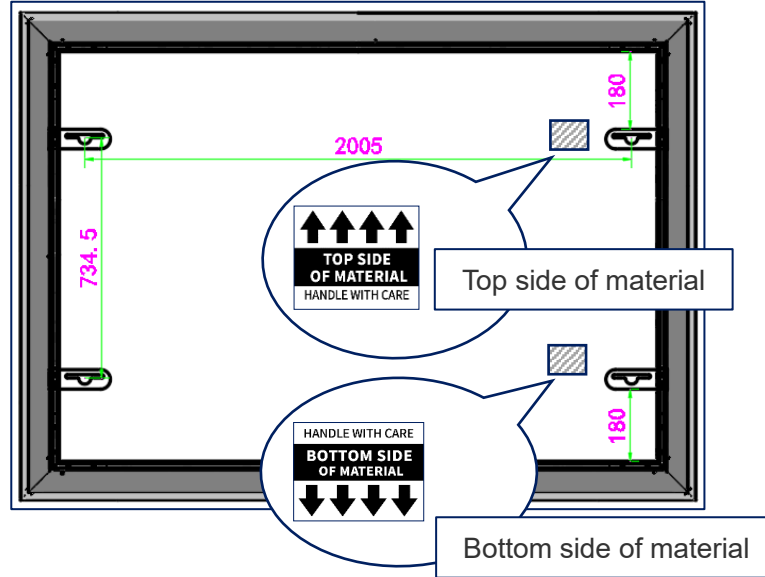


※ Note: Each projector with different Projection Parameters. Please refer to your projector's distance calculator for proper measurements.

Installation

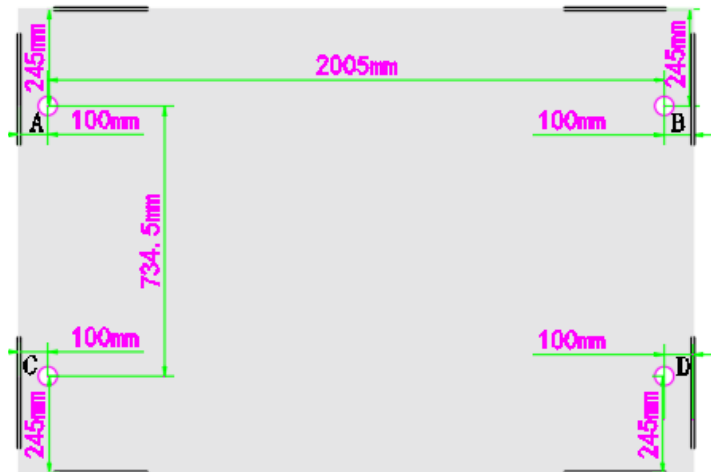
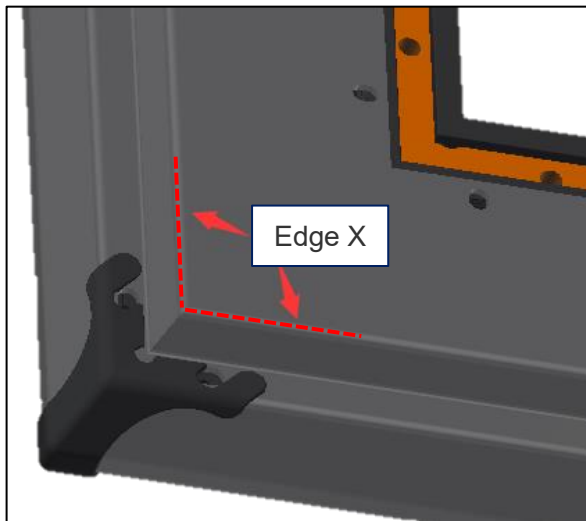
1. Correctly distinguish the top and bottom of the screen:

Place the assembled screen upright on the ground vertically and check the warning label on the back of the screen, which has "Top side of material" and "Bottom side of material" to identify whether the screen is properly placed (see picture below).



2. Preparing for installation:

- 1) Turn on the projector and place the view area to confirm the position of the screen according to the picture of the projector, use a level to confirm whether the screen is level, and then draw benchmark marking lines along the four edges of the screen edge X. (8 reference lines in total, 2 reference lines on each side).



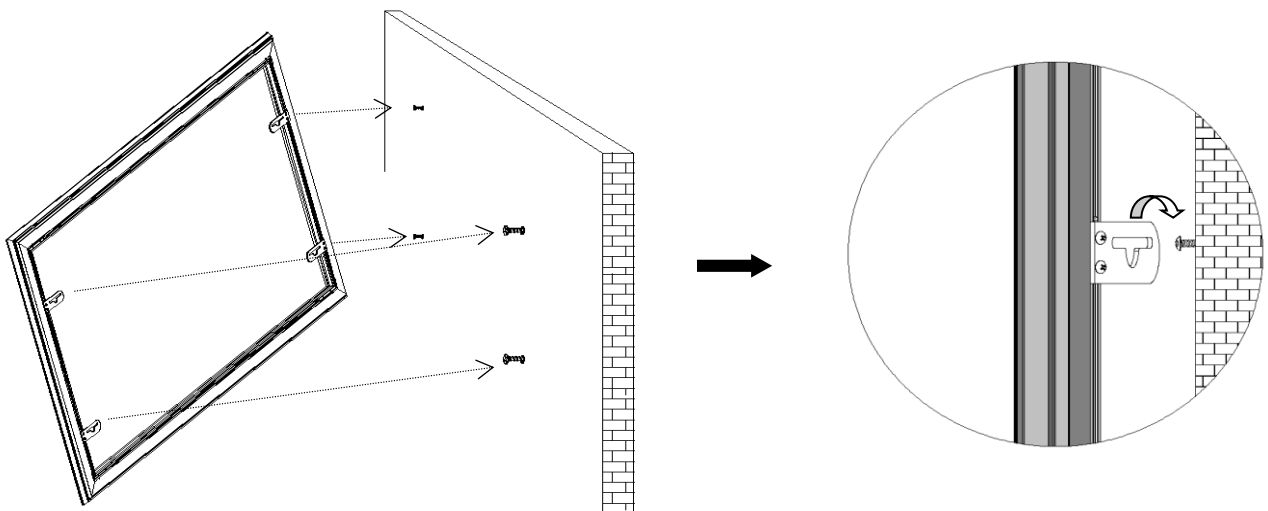
- 2) Draw four points A, B, C and D horizontally and vertically with the four-side reference line. The points AB = CD are 2005mm apart and the points AC = BD are 734.5mm apart.
 ※ Please make sure that points A and B are horizontal with points C and D and that points A and C are vertical with points B and D.

- 3) Use a level to check whether the distance between points A, B, C, and D, and check AC BD are horizontal, and whether AC, BD is vertical.
- 4) Confirm that there is no problem at four points, next step is wall installation.

3. Fixed installation:

Please reconfirm that the four points have been successfully located.

- 1) Drill holes at four points, A, B, C and D.
- 2) And install anchors at four-point hole.
- 3) Fasten the screw on the anchors and keep the screw 1cm away from the wall.
- 4) Two people lift the screen, first clamp the two lower wall brackets on the screws at point C and D, and then slide the screen up to clamp the two upper wall brackets on the screws at point A and B.
- 5) After sliding the screen left or right to the state that it cannot slide, try to make the screen move forward to confirm whether the four wall brackets on the screen are stable and stuck to the four-hole screws.



(END)